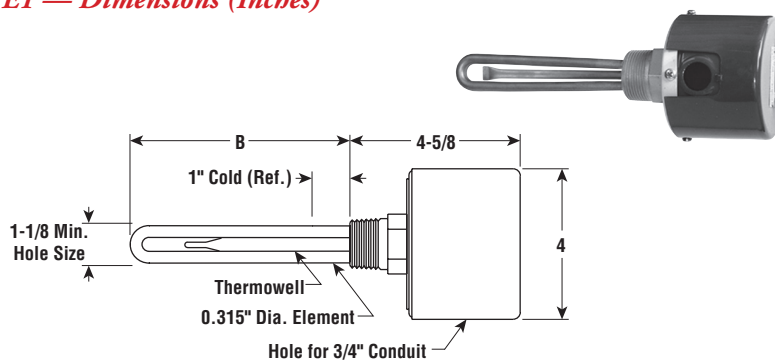


# Immersion

## MTO Light Weight Oil Applications

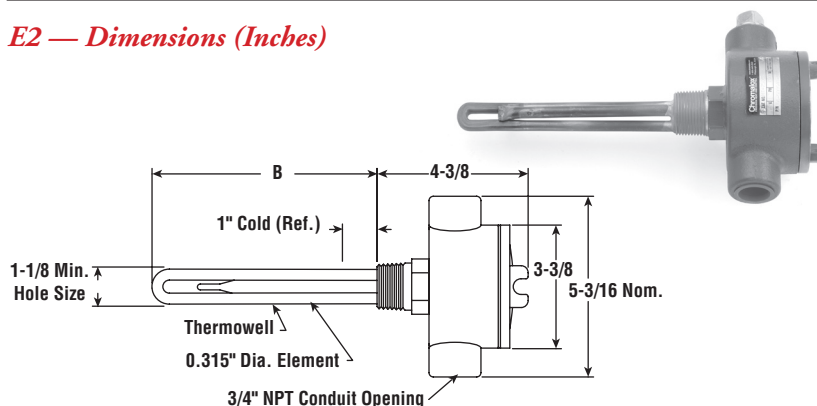
- 1" NPT Steel Screw Plug
- Steel Sheath Element
- 20 W/in<sup>2</sup>
- 0.25 - 1.5 kW
- Without Thermostat
- 120 and 240 Volt, Single Phase
- General Purpose, Moisture Resistant/Explosion Resistant Terminal Enclosure or Moisture Resistant

*E1 — Dimensions (Inches)*

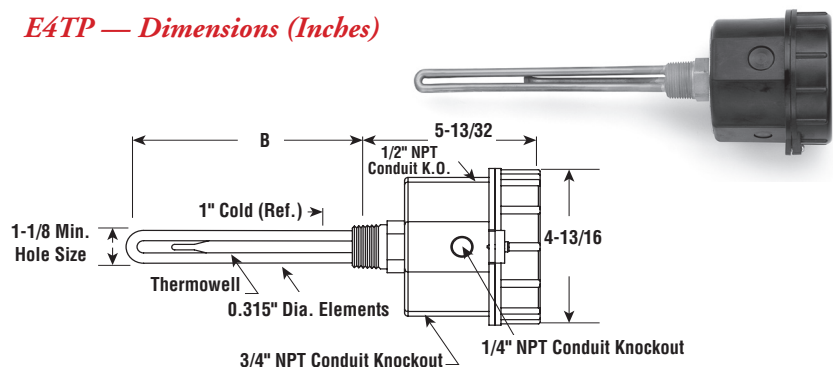


SCREW PLUG

*E2 — Dimensions (Inches)*



*E4TP — Dimensions (Inches)*



### Specifications and Ordering Information

						E1 General Purpose <sup>1</sup>				E2 Moisture Resistant/ Explosion Resistant <sup>2</sup>				E4 Moisture Resistant			
kW	Volts	Phase	W/in <sup>2</sup>	No. Elem.	DIM B (In.)	Model	Stock	PCN	Wt. (Lbs.)	Model	Stock	PCN	Wt. (Lbs.)	Model	Stock	PCN	Wt. (Lbs.)
0.25	120	1	20	1	6-1/2	MTO-250	NS	037962	2	MTO-250E2	NS	038050	5	MTO-250E4TP	NS	060185	8
0.375	120	1	20	1	9-1/2	MTO-375	NS	037970	3	MTO-375E2	NS	038068	6	MTO-375E4TP	NS	060193	9
0.375	240	1	20	1	9-1/2	MTO-375	NS	037989	3	MTO-375E2	NS	038076	6	MTO-375E4TP	NS	060206	9
0.5	120	1	20	1	12-1/2	MTO-500	NS	037997	3	MTO-500E2	NS	038084	6	MTO-500E4TP	NS	060214	9
0.5	240	1	20	1	12-1/2	MTO-500	NS	038009	3	MTO-500E2	NS	038092	6	MTO-500E4TP	NS	060222	9
1	120	1	20	1	25	MTO-1000	NS	038017	4	MTO-1000E2	NS	038105	7	MTO-1000E4TP	NS	060142	10
1	240	1	20	1	25	MTO-1000	NS	038025	4	MTO-1000E2	NS	038113	7	MTO-1000E4TP	NS	060150	10
1.5	120	1	20	1	38	MTO-1500	NS	038033	4	MTO-1500E2	NS	038121	7	MTO-1500E4TP	NS	060169	10
1.5	240	1	20	1	38	MTO-1500	NS	038041	4	MTO-1500E2	NS	038130	7	MTO-1500E4TP	NS	060177	10

Stock Status: S = stock NS = non-stock  
To Order—Specify model, volts, phase, kW, PCN and quantity.



1. Heaters with General Purpose Enclosures are UL Recognized and CSA Certified.
2. Heaters with Moisture Resistant/Explosion Resistant Enclosures are CSA<sub>US</sub> Certified.

Same-day shipping on stock item orders received before 4 pm CST.  
3-day shipping on assembly-stock items.