

SUBMITTAL SHEET UB SERIES FORCED AIR UNIT HEATER

High KW

Capacities

- 25, 30, 35, 40, 45, 50 kW
- 240, 575 and 600V (3Ø)
480V (1Ø or 3Ø)

See Selection Chart
Back Page

JOB NAME: _____

LOCATION: _____

ARCHITECT: _____

ENGINEER: _____

CONTRACTOR: _____

SUBMITTED BY: _____

QUANTITY: _____

DATE: _____

| QTY. | CATALOG NUMBER | TAG | HEATER | | | AMPS | MOTOR VOLTS | PHASE Ø | MOTOR RPM | AIR FLOW | | NO. OF STAGES | BUILT-IN-CONTROLS |
|------|----------------|-----|--------|-------|---|------|-------------|---------|-----------|----------|---------|---------------|-------------------|
| | | | KW | VOLTS | Ø | | | | | CFM | °F RISE | | |
| | | | | | | | | | | | | | |
| | | | | | | | | | | | | | |
| | | | | | | | | | | | | | |
| | | | | | | | | | | | | | |
| | | | | | | | | | | | | | |
| | | | | | | | | | | | | | |
| | | | | | | | | | | | | | |

ACCESSORIES
AND
CONTROLS

| QTY. | CATALOG NO. | TAG | DESCRIPTION |
|------|-------------|-----|-------------|
| | | | |
| | | | |
| | | | |
| | | | |
| | | | |
| | | | |
| | | | |

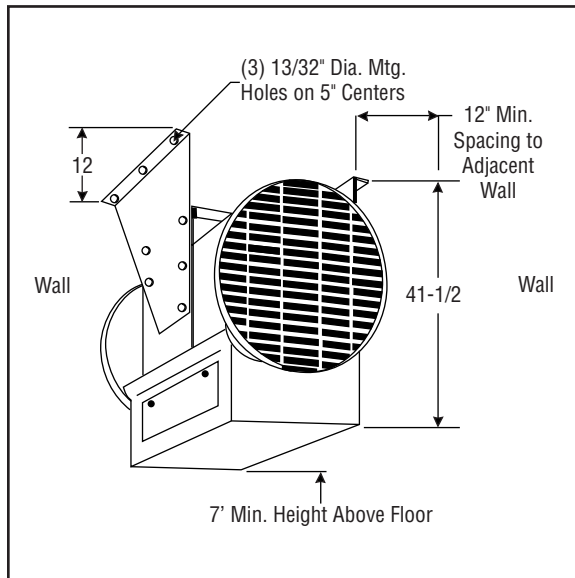
UB High Capacity Horizontal Blower Heater

| Electrical (60 Hz) | | | | Motor | | | Air Delivery | | | | | Mtg. Height (Ft.) | Model | PCN | Wt. lbs. |
|--------------------|-------|-------|------|-------|-------|-----|--------------|-------|-------|-----------------|--------------------|-------------------|---------|--------|----------|
| kW | Volts | Phase | Amps | Volts | Phase | HP | RPM | CFM | FPM | Temp. Rise (°F) | Horiz. Throw (Ft.) | | | | |
| 25 | 240 | 3 | 60.2 | 115 | 1 | 1/3 | 1,550 | 1,300 | 825 | 64 | 48 | 12 | UB-2502 | 332558 | 185 |
| 25 | 240 | 3 | 60.2 | 115 | 1 | 1/3 | 1,550 | 1,300 | 825 | 64 | 48 | 12 | UB-2502 | 332566 | 185 |
| 25 | 240 | 3 | 60.2 | 230 | 1 | 1/3 | 1,550 | 1,300 | 825 | 64 | 48 | 12 | UB-2502 | 332574 | 185 |
| 25 | 240 | 3 | 60.2 | 230 | 1 | 1/3 | 1,550 | 1,300 | 825 | 64 | 48 | 12 | UB-2502 | 332582 | 185 |
| 25 | 480 | 3 | 30.1 | 115 | 1 | 1/3 | 1,550 | 1,300 | 825 | 64 | 48 | 12 | UB-2502 | 332590 | 185 |
| 25 | 480 | 1 | 52.1 | 115 | 1 | 1/3 | 1,550 | 1,300 | 825 | 64 | 48 | 12 | UB-2502 | 332603 | 185 |
| 25 | 480 | 1 | 52.1 | 230 | 1 | 1/3 | 1,550 | 1,300 | 825 | 64 | 48 | 12 | UB-2502 | 332611 | 185 |
| 25 | 480 | 1 | 52.1 | 230 | 1 | 1/3 | 1,550 | 1,300 | 825 | 64 | 48 | 12 | UB-2502 | 332620 | 185 |
| 25 | 480 | 1 | 52.1 | 115 | 1 | 1/3 | 1,550 | 1,300 | 825 | 64 | 48 | 12 | UB-2502 | 332638 | 185 |
| 25 | 480 | 3 | 30.1 | 115 | 1 | 1/3 | 1,550 | 1,300 | 825 | 64 | 48 | 12 | UB-2502 | 332646 | 185 |
| 25 | 480 | 3 | 30.1 | 230 | 1 | 1/3 | 1,550 | 1,300 | 825 | 64 | 48 | 12 | UB-2502 | 332654 | 185 |
| 25 | 480 | 3 | 30.1 | 230 | 1 | 1/3 | 1,550 | 1,300 | 825 | 64 | 48 | 12 | UB-2502 | 332662 | 185 |
| 25 | 480 | 3 | 30.1 | 460 | 3 | 1/3 | 1,550 | 1,300 | 825 | 64 | 48 | 12 | UB-2502 | 332670 | 185 |
| 25 | 480 | 3 | 30.1 | 460 | 3 | 1/3 | 1,550 | 1,300 | 825 | 64 | 48 | 12 | UB-2502 | 332689 | 185 |
| 25 | 480 | 3 | 30.1 | 115 | 1 | 1/3 | 1,550 | 1,300 | 825 | 64 | 48 | 12 | UB-2502 | 332697 | 185 |
| 25 | 550 | 3 | 26.3 | 115 | 1 | 1/3 | 1,550 | 1,300 | 825 | 64 | 48 | 12 | UB-2502 | 332700 | 185 |
| 25 | 550 | 3 | 26.3 | 230 | 1 | 1/3 | 1,550 | 1,300 | 825 | 64 | 48 | 12 | UB-2502 | 332718 | 185 |
| 25 | 550 | 3 | 26.3 | 230 | 1 | 1/3 | 1,550 | 1,300 | 825 | 64 | 48 | 12 | UB-2502 | 332726 | 185 |
| 25 | 575 | 3 | 26.3 | 115 | 1 | 1/3 | 1,550 | 1,300 | 825 | 64 | 48 | 12 | UB-2502 | 332734 | 185 |
| 25 | 575 | 3 | 26.3 | 115 | 1 | 1/3 | 1,550 | 1,300 | 825 | 64 | 48 | 12 | UB-2502 | 332742 | 185 |
| 25 | 575 | 3 | 26.3 | 230 | 1 | 1/3 | 1,550 | 1,300 | 825 | 64 | 48 | 12 | UB-2502 | 332750 | 185 |
| 25 | 575 | 3 | 26.3 | 230 | 1 | 1/3 | 1,550 | 1,300 | 825 | 64 | 48 | 12 | UB-2502 | 332769 | 185 |
| 25 | 600 | 3 | 24.1 | 115 | 1 | 1/3 | 1,550 | 1,300 | 825 | 64 | 48 | 12 | UB-2502 | 332777 | 185 |
| 25 | 600 | 3 | 24.1 | 115 | 1 | 1/3 | 1,550 | 1,300 | 825 | 64 | 48 | 12 | UB-2502 | 332785 | 185 |
| 25 | 600 | 3 | 24.1 | 230 | 1 | 1/3 | 1,550 | 1,300 | 825 | 64 | 48 | 12 | UB-2502 | 332793 | 185 |
| 25 | 600 | 3 | 24.1 | 230 | 1 | 1/3 | 1,550 | 1,300 | 825 | 64 | 48 | 12 | UB-2502 | 332806 | 185 |
| 30 | 240 | 3 | 72.3 | 115 | 1 | 1/3 | 1,550 | 1,300 | 825 | 77 | 48 | 13 | UB-3002 | 332814 | 185 |
| 30 | 240 | 3 | 72.3 | 115 | 1 | 1/3 | 1,550 | 1,300 | 825 | 77 | 48 | 13 | UB-3002 | 332822 | 185 |
| 30 | 240 | 3 | 72.3 | 230 | 1 | 1/3 | 1,550 | 1,300 | 825 | 77 | 48 | 13 | UB-3002 | 332830 | 185 |
| 30 | 240 | 3 | 72.3 | 230 | 1 | 1/3 | 1,550 | 1,300 | 825 | 77 | 48 | 13 | UB-3002 | 332849 | 185 |
| 30 | 480 | 1 | 62.5 | 115 | 1 | 1/3 | 1,550 | 1,300 | 825 | 77 | 48 | 13 | UB-3002 | 332857 | 185 |
| 30 | 480 | 1 | 62.5 | 115 | 1 | 1/3 | 1,550 | 1,300 | 825 | 77 | 48 | 13 | UB-3002 | 332865 | 185 |
| 30 | 480 | 1 | 62.5 | 230 | 1 | 1/3 | 1,550 | 1,300 | 825 | 77 | 48 | 13 | UB-3002 | 332873 | 185 |
| 30 | 480 | 1 | 62.5 | 230 | 1 | 1/3 | 1,550 | 1,300 | 825 | 77 | 48 | 13 | UB-3002 | 332881 | 185 |
| 30 | 480 | 3 | 36.1 | 115 | 1 | 1/3 | 1,550 | 1,300 | 825 | 77 | 48 | 13 | UB-3002 | 332890 | 185 |
| 30 | 480 | 3 | 36.1 | 115 | 1 | 1/3 | 1,550 | 1,300 | 825 | 77 | 48 | 13 | UB-3002 | 332902 | 185 |
| 30 | 480 | 3 | 36.1 | 230 | 1 | 1/3 | 1,550 | 1,300 | 825 | 77 | 48 | 13 | UB-3002 | 332910 | 185 |
| 30 | 480 | 3 | 36.1 | 230 | 1 | 1/3 | 1,550 | 1,300 | 825 | 77 | 48 | 13 | UB-3002 | 332929 | 185 |
| 30 | 480 | 3 | 36.1 | 460 | 3 | 1/3 | 1,550 | 1,300 | 825 | 77 | 48 | 13 | UB-3002 | 332937 | 185 |
| 30 | 480 | 3 | 36.1 | 460 | 3 | 1/3 | 1,550 | 1,300 | 825 | 77 | 48 | 13 | UB-3002 | 332945 | 185 |
| 30 | 550 | 3 | 31.5 | 115 | 1 | 1/3 | 1,550 | 1,300 | 825 | 77 | 48 | 13 | UB-3002 | 332953 | 185 |
| 30 | 550 | 3 | 31.5 | 115 | 1 | 1/3 | 1,550 | 1,300 | 825 | 77 | 48 | 13 | UB-3002 | 332961 | 185 |
| 30 | 550 | 3 | 31.5 | 230 | 1 | 1/3 | 1,550 | 1,300 | 825 | 77 | 48 | 13 | UB-3002 | 332970 | 185 |
| 30 | 550 | 3 | 31.5 | 230 | 1 | 1/3 | 1,550 | 1,300 | 825 | 77 | 48 | 13 | UB-3002 | 332988 | 185 |
| 30 | 575 | 3 | 30.2 | 115 | 1 | 1/3 | 1,550 | 1,300 | 825 | 77 | 48 | 13 | UB-3002 | 332996 | 185 |
| 30 | 575 | 3 | 30.2 | 115 | 1 | 1/3 | 1,550 | 1,300 | 825 | 77 | 48 | 13 | UB-3002 | 333008 | 185 |
| 30 | 575 | 3 | 30.2 | 230 | 1 | 1/3 | 1,550 | 1,300 | 825 | 77 | 48 | 13 | UB-3002 | 333016 | 185 |
| 30 | 575 | 3 | 30.2 | 230 | 1 | 1/3 | 1,550 | 1,300 | 825 | 77 | 48 | 13 | UB-3002 | 333024 | 185 |
| 30 | 600 | 3 | 28.9 | 115 | 1 | 1/3 | 1,550 | 1,300 | 825 | 77 | 48 | 13 | UB-3002 | 333032 | 185 |
| 30 | 600 | 3 | 28.9 | 115 | 1 | 1/3 | 1,550 | 1,300 | 825 | 77 | 48 | 13 | UB-3002 | 333040 | 185 |
| 30 | 600 | 3 | 28.9 | 230 | 1 | 1/3 | 1,550 | 1,300 | 825 | 77 | 48 | 13 | UB-3002 | 333059 | 185 |
| 30 | 600 | 3 | 28.9 | 230 | 1 | 1/3 | 1,550 | 1,300 | 825 | 77 | 48 | 13 | UB-3002 | 333067 | 185 |
| 35 | 240 | 3 | 84.3 | 230 | 1 | 1/3 | 1,550 | 2,800 | 1,165 | 42 | 54 | 14 | UB-3502 | 333075 | 210 |
| 35 | 240 | 3 | 84.3 | 230 | 1 | 1/3 | 1,550 | 2,800 | 1,165 | 42 | 54 | 14 | UB-3502 | 333083 | 210 |
| 35 | 480 | 1 | 72.9 | 115 | 1 | 1/3 | 1,550 | 2,800 | 1,165 | 42 | 54 | 14 | UB-3502 | 333091 | 210 |
| 35 | 480 | 1 | 72.9 | 115 | 1 | 1/3 | 1,550 | 2,800 | 1,165 | 42 | 54 | 14 | UB-3502 | 333104 | 210 |
| 35 | 480 | 1 | 72.9 | 230 | 1 | 1/3 | 1,550 | 2,800 | 1,165 | 42 | 54 | 14 | UB-3502 | 333112 | 210 |
| 35 | 480 | 1 | 72.9 | 230 | 1 | 1/3 | 1,550 | 2,800 | 1,165 | 42 | 54 | 14 | UB-3502 | 333120 | 210 |
| 35 | 480 | 3 | 42.2 | 115 | 1 | 1/3 | 1,550 | 2,800 | 1,165 | 42 | 54 | 14 | UB-3502 | 333139 | 210 |
| 35 | 480 | 3 | 42.2 | 115 | 1 | 1/3 | 1,550 | 2,800 | 1,165 | 42 | 54 | 14 | UB-3502 | 333147 | 210 |
| 35 | 480 | 3 | 42.2 | 230 | 1 | 1/3 | 1,550 | 2,800 | 1,165 | 42 | 54 | 14 | UB-3502 | 333155 | 210 |
| 35 | 480 | 3 | 42.2 | 230 | 1 | 1/3 | 1,550 | 2,800 | 1,165 | 42 | 54 | 14 | UB-3502 | 333163 | 210 |
| 35 | 480 | 3 | 42.2 | 460 | 3 | 1/3 | 1,550 | 2,800 | 1,165 | 42 | 54 | 14 | UB-3502 | 333171 | 210 |
| 35 | 480 | 3 | 42.2 | 460 | 3 | 1/3 | 1,550 | 2,800 | 1,165 | 42 | 54 | 14 | UB-3502 | 333180 | 210 |
| 35 | 550 | 3 | 36.8 | 115 | 1 | 1/3 | 1,550 | 2,800 | 1,165 | 42 | 54 | 14 | UB-3502 | 333198 | 210 |
| 35 | 550 | 3 | 36.8 | 115 | 1 | 1/3 | 1,550 | 2,800 | 1,165 | 42 | 54 | 14 | UB-3502 | 333200 | 210 |
| 35 | 550 | 3 | 36.8 | 230 | 1 | 1/3 | 1,550 | 2,800 | 1,165 | 42 | 54 | 14 | UB-3502 | 333219 | 210 |
| 35 | 550 | 3 | 36.8 | 230 | 1 | 1/3 | 1,550 | 2,800 | 1,165 | 42 | 54 | 14 | UB-3502 | 333227 | 210 |
| 35 | 575 | 3 | 35.2 | 115 | 1 | 1/3 | 1,550 | 2,800 | 1,165 | 42 | 54 | 14 | UB-3502 | 333235 | 210 |
| 35 | 575 | 3 | 35.2 | 115 | 1 | 1/3 | 1,550 | 2,800 | 1,165 | 42 | 54 | 14 | UB-3502 | 333243 | 210 |
| 35 | 575 | 3 | 35.2 | 230 | 1 | 1/3 | 1,550 | 2,800 | 1,165 | 42 | 54 | 14 | UB-3502 | 333251 | 210 |
| 35 | 575 | 3 | 35.2 | 230 | 1 | 1/3 | 1,550 | 2,800 | 1,165 | 42 | 54 | 14 | UB-3502 | 333260 | 210 |
| 35 | 600 | 3 | 33.7 | 115 | 1 | 1/3 | 1,550 | 2,800 | 1,165 | 42 | 54 | 14 | UB-3502 | 333278 | 210 |

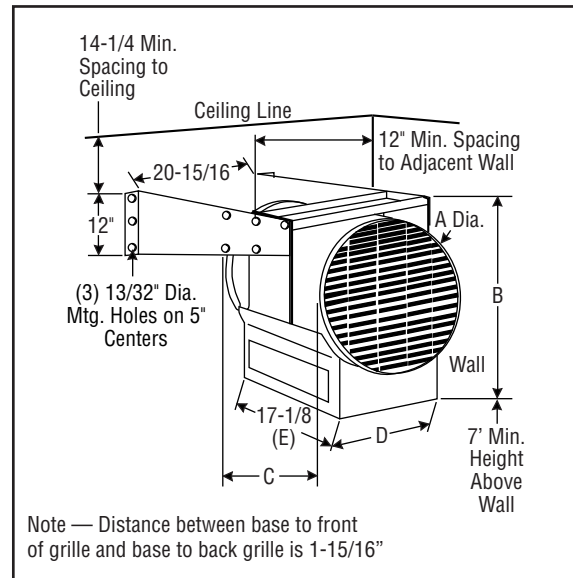
UB High Capacity Horizontal Blower Heater (cont'd.)

| Electrical (60 Hz) | | | | | Motor | | | CFM | Air Delivery | | | Mtg. Height (Ft.) | Model | PCN | Wt. lbs. |
|--------------------|-------|-------|------|-------|-------|-----|-------|-------|--------------|-----------------|--------------------|-------------------|---------|--------|----------|
| kW | Volts | Phase | Amps | Volts | Phase | HP | RPM | | FPM | Temp. Rise (°F) | Horiz. Throw (Ft.) | | | | |
| 35 | 600 | 3 | 33.7 | 115 | 1 | 1/3 | 1,550 | 2,800 | 1,165 | 42 | 54 | 14 | UB-3502 | 333286 | 210 |
| 35 | 600 | 3 | 33.7 | 230 | 1 | 1/3 | 1,550 | 2,800 | 1,165 | 42 | 54 | 14 | UB-3502 | 333294 | 210 |
| 35 | 600 | 3 | 33.7 | 230 | 1 | 1/3 | 1,550 | 2,800 | 1,165 | 42 | 54 | 14 | UB-3502 | 333307 | 210 |
| 40 | 480 | 1 | 83.3 | 115 | 1 | 1/3 | 1,550 | 2,800 | 1,165 | 48 | 54 | 15 | UB-4002 | 333315 | 210 |
| 40 | 480 | 1 | 83.3 | 115 | 1 | 1/3 | 1,550 | 2,800 | 1,165 | 48 | 54 | 15 | UB-4002 | 333323 | 210 |
| 40 | 480 | 1 | 83.3 | 230 | 1 | 1/3 | 1,550 | 2,800 | 1,165 | 48 | 54 | 15 | UB-4002 | 333331 | 210 |
| 40 | 480 | 1 | 83.3 | 230 | 1 | 1/3 | 1,550 | 2,800 | 1,165 | 48 | 54 | 15 | UB-4002 | 333340 | 210 |
| 40 | 480 | 3 | 48.2 | 115 | 1 | 1/3 | 1,550 | 2,800 | 1,165 | 48 | 54 | 15 | UB-4002 | 333358 | 210 |
| 40 | 480 | 3 | 48.2 | 115 | 1 | 1/3 | 1,550 | 2,800 | 1,165 | 48 | 54 | 15 | UB-4002 | 333366 | 210 |
| 40 | 480 | 3 | 48.2 | 230 | 1 | 1/3 | 1,550 | 2,800 | 1,165 | 48 | 54 | 15 | UB-4002 | 333374 | 210 |
| 40 | 480 | 3 | 48.2 | 230 | 1 | 1/3 | 1,550 | 2,800 | 1,165 | 48 | 54 | 15 | UB-4002 | 333382 | 210 |
| 40 | 480 | 3 | 48.2 | 460 | 3 | 1/3 | 1,550 | 2,800 | 1,165 | 48 | 54 | 15 | UB-4002 | 333390 | 210 |
| 40 | 480 | 3 | 48.2 | 460 | 3 | 1/3 | 1,550 | 2,800 | 1,165 | 48 | 54 | 15 | UB-4002 | 333403 | 210 |
| 40 | 550 | 3 | 42 | 115 | 1 | 1/3 | 1,550 | 2,800 | 1,165 | 48 | 54 | 15 | UB-4002 | 333411 | 210 |
| 40 | 550 | 3 | 42 | 115 | 1 | 1/3 | 1,550 | 2,800 | 1,165 | 48 | 54 | 15 | UB-4002 | 333420 | 210 |
| 40 | 550 | 3 | 42 | 230 | 1 | 1/3 | 1,550 | 2,800 | 1,165 | 48 | 54 | 15 | UB-4002 | 333438 | 210 |
| 40 | 550 | 3 | 42 | 230 | 1 | 1/3 | 1,550 | 2,800 | 1,165 | 48 | 54 | 15 | UB-4002 | 333446 | 210 |
| 40 | 575 | 3 | 40.2 | 115 | 1 | 1/3 | 1,550 | 2,800 | 1,165 | 48 | 54 | 15 | UB-4002 | 333454 | 210 |
| 40 | 575 | 3 | 40.2 | 115 | 1 | 1/3 | 1,550 | 2,800 | 1,165 | 48 | 54 | 15 | UB-4002 | 333462 | 210 |
| 40 | 575 | 3 | 40.2 | 230 | 1 | 1/3 | 1,550 | 2,800 | 1,165 | 48 | 54 | 15 | UB-4002 | 333470 | 210 |
| 40 | 575 | 3 | 40.2 | 230 | 1 | 1/3 | 1,550 | 2,800 | 1,165 | 48 | 54 | 15 | UB-4002 | 333489 | 210 |
| 40 | 600 | 3 | 38.5 | 115 | 1 | 1/3 | 1,550 | 2,800 | 1,165 | 48 | 54 | 15 | UB-4002 | 333497 | 210 |
| 40 | 600 | 3 | 38.5 | 115 | 1 | 1/3 | 1,550 | 2,800 | 1,165 | 48 | 54 | 15 | UB-4002 | 333500 | 210 |
| 40 | 600 | 3 | 38.5 | 230 | 1 | 1/3 | 1,550 | 2,800 | 1,165 | 48 | 54 | 15 | UB-4002 | 333518 | 210 |
| 40 | 600 | 3 | 38.5 | 230 | 1 | 1/3 | 1,550 | 2,800 | 1,165 | 48 | 54 | 15 | UB-4002 | 333526 | 210 |
| 45 | 480 | 1 | 93.8 | 230 | 1 | 1/3 | 1,550 | 2,800 | 1,165 | 54 | 54 | 17 | UB-4502 | 333534 | 210 |
| 45 | 480 | 1 | 93.8 | 230 | 1 | 1/3 | 1,550 | 2,800 | 1,165 | 54 | 54 | 17 | UB-4502 | 333542 | 210 |
| 45 | 480 | 3 | 54.2 | 115 | 1 | 1/3 | 1,550 | 2,800 | 1,165 | 54 | 54 | 17 | UB-4502 | 333550 | 210 |
| 45 | 480 | 3 | 54.2 | 115 | 1 | 1/3 | 1,550 | 2,800 | 1,165 | 54 | 54 | 17 | UB-4502 | 333569 | 210 |
| 45 | 480 | 3 | 54.2 | 230 | 1 | 1/3 | 1,550 | 2,800 | 1,165 | 54 | 54 | 17 | UB-4502 | 333577 | 210 |
| 45 | 480 | 3 | 54.2 | 230 | 1 | 1/3 | 1,550 | 2,800 | 1,165 | 54 | 54 | 17 | UB-4502 | 333585 | 210 |
| 45 | 480 | 3 | 54.2 | 460 | 3 | 1/3 | 1,550 | 2,800 | 1,165 | 54 | 54 | 17 | UB-4502 | 333593 | 210 |
| 45 | 480 | 3 | 54.2 | 460 | 3 | 1/3 | 1,550 | 2,800 | 1,165 | 54 | 54 | 17 | UB-4502 | 333606 | 210 |
| 45 | 550 | 3 | 47.3 | 115 | 1 | 1/3 | 1,550 | 2,800 | 1,165 | 54 | 54 | 17 | UB-4502 | 333614 | 210 |
| 45 | 550 | 3 | 47.3 | 115 | 1 | 1/3 | 1,550 | 2,800 | 1,165 | 54 | 54 | 17 | UB-4502 | 333622 | 210 |
| 45 | 550 | 3 | 47.3 | 230 | 1 | 1/3 | 1,550 | 2,800 | 1,165 | 54 | 54 | 17 | UB-4502 | 333630 | 210 |
| 45 | 550 | 3 | 47.3 | 230 | 1 | 1/3 | 1,550 | 2,800 | 1,165 | 54 | 54 | 17 | UB-4502 | 333649 | 210 |
| 45 | 575 | 3 | 45.2 | 115 | 1 | 1/3 | 1,550 | 2,800 | 1,165 | 54 | 54 | 17 | UB-4502 | 333657 | 210 |
| 45 | 575 | 3 | 45.2 | 115 | 1 | 1/3 | 1,550 | 2,800 | 1,165 | 54 | 54 | 17 | UB-4502 | 333665 | 210 |
| 45 | 575 | 3 | 45.2 | 230 | 1 | 1/3 | 1,550 | 2,800 | 1,165 | 54 | 54 | 17 | UB-4502 | 333673 | 210 |
| 45 | 575 | 3 | 45.2 | 230 | 1 | 1/3 | 1,550 | 2,800 | 1,165 | 54 | 54 | 17 | UB-4502 | 333681 | 210 |
| 45 | 600 | 3 | 43.4 | 115 | 1 | 1/3 | 1,550 | 2,800 | 1,165 | 54 | 54 | 17 | UB-4502 | 333690 | 210 |
| 45 | 600 | 3 | 43.4 | 115 | 1 | 1/3 | 1,550 | 2,800 | 1,165 | 54 | 54 | 17 | UB-4502 | 333702 | 210 |
| 45 | 600 | 3 | 43.4 | 230 | 1 | 1/3 | 1,550 | 2,800 | 1,165 | 54 | 54 | 17 | UB-4502 | 333710 | 210 |
| 45 | 600 | 3 | 43.4 | 230 | 1 | 1/3 | 1,550 | 2,800 | 1,165 | 54 | 54 | 17 | UB-4502 | 333729 | 210 |
| 50 | 480 | 3 | 60.2 | 115 | 1 | 1/3 | 1,550 | 2,800 | 1,165 | 60 | 54 | 17 | UB-5002 | 333737 | 210 |
| 50 | 480 | 3 | 60.2 | 115 | 1 | 1/3 | 1,550 | 2,800 | 1,165 | 60 | 54 | 17 | UB-5002 | 333745 | 210 |
| 50 | 480 | 3 | 60.2 | 230 | 1 | 1/3 | 1,550 | 2,800 | 1,165 | 60 | 54 | 17 | UB-5002 | 333753 | 210 |
| 50 | 480 | 3 | 60.2 | 230 | 1 | 1/3 | 1,550 | 2,800 | 1,165 | 60 | 54 | 17 | UB-5002 | 333761 | 210 |
| 50 | 480 | 3 | 60.2 | 460 | 3 | 1/3 | 1,550 | 2,800 | 1,165 | 60 | 54 | 17 | UB-5002 | 333770 | 210 |
| 50 | 480 | 3 | 60.2 | 460 | 3 | 1/3 | 1,550 | 2,800 | 1,165 | 60 | 54 | 17 | UB-5002 | 333788 | 210 |
| 50 | 550 | 3 | 52.5 | 115 | 1 | 1/3 | 1,550 | 2,800 | 1,165 | 60 | 54 | 17 | UB-5002 | 333796 | 210 |
| 50 | 550 | 3 | 52.5 | 115 | 1 | 1/3 | 1,550 | 2,800 | 1,165 | 60 | 54 | 17 | UB-5002 | 333809 | 210 |
| 50 | 550 | 3 | 52.5 | 230 | 1 | 1/3 | 1,550 | 2,800 | 1,165 | 60 | 54 | 17 | UB-5002 | 333817 | 210 |
| 50 | 550 | 3 | 52.5 | 230 | 1 | 1/3 | 1,550 | 2,800 | 1,165 | 60 | 54 | 17 | UB-5002 | 333825 | 210 |
| 50 | 575 | 3 | 50.3 | 115 | 1 | 1/3 | 1,550 | 2,800 | 1,165 | 60 | 54 | 17 | UB-5002 | 333833 | 210 |
| 50 | 575 | 3 | 50.3 | 115 | 1 | 1/3 | 1,550 | 2,800 | 1,165 | 60 | 54 | 17 | UB-5002 | 333841 | 210 |
| 50 | 575 | 3 | 50.3 | 230 | 1 | 1/3 | 1,550 | 2,800 | 1,165 | 60 | 54 | 17 | UB-5002 | 333850 | 210 |
| 50 | 575 | 3 | 50.3 | 230 | 1 | 1/3 | 1,550 | 2,800 | 1,165 | 60 | 54 | 17 | UB-5002 | 333868 | 210 |
| 50 | 600 | 3 | 48.2 | 115 | 1 | 1/3 | 1,550 | 2,800 | 1,165 | 60 | 54 | 17 | UB-5002 | 333876 | 210 |
| 50 | 600 | 3 | 48.2 | 115 | 1 | 1/3 | 1,550 | 2,800 | 1,165 | 60 | 54 | 17 | UB-5002 | 333884 | 210 |
| 50 | 600 | 3 | 48.2 | 230 | 1 | 1/3 | 1,550 | 2,800 | 1,165 | 60 | 54 | 17 | UB-5002 | 333892 | 210 |
| 50 | 600 | 3 | 48.2 | 230 | 1 | 1/3 | 1,550 | 2,800 | 1,165 | 60 | 54 | 17 | UB-5002 | 333905 | 210 |

**Ceiling Mounting Kit (25-50 kW) —
Dimensions (Inches)**



**Wall Mounting Kit (25-50 kW) —
Dimensions (Inches)**



Dimensions (Inches)

| Dimensions (In.) | | | | | | | | | |
|------------------|--------|---------|----|---------|--------|---------|----------|----|---|
| Model No. | A | B | C | D | E | F | G | H | J |
| UB-2502 | 17-1/8 | 23-5/16 | 21 | 14 | 17-1/8 | 17-5/32 | 18-15/16 | 10 | 8 |
| UB-3002 | 17-1/8 | 25-5/16 | 21 | 14 | 17-1/8 | 17-5/32 | 18-15/16 | 10 | 8 |
| UB-3502 | 21-1/8 | 27-5/16 | 21 | 17-7/16 | 17-1/8 | 17-5/32 | 22-15/16 | 10 | 8 |
| UB-4002 | 21-1/8 | 27-5/16 | 21 | 17-7/16 | 17-1/8 | 17-5/32 | 22-15/16 | 10 | 8 |
| UB-4502 | 21-1/8 | 27-5/16 | 21 | 17-7/16 | 17-1/8 | 17-5/32 | 22-15/16 | 10 | 8 |
| UB-5002 | 21-1/8 | 27-5/16 | 21 | 17-7/16 | 17-1/8 | 17-5/32 | 22-15/16 | 10 | 8 |

ARCHITECTURAL ENGINEER SUGGESTED SPECIFICATIONS

Construction

Cabinet to be fabricated with 16-gauge steel supported with an 18 gauge steel base assembly.

Color

Color shall be Almond.

Finish

Painted finish shall be the polyester powder coat process.

Heating Element

The heating bank are to be Chromalox patented metal sheath Fintube® heating elements. Heat radiation fins are to be continuous furnace brazed to the tubular elements to assure superior heat transfer. The design shall include wide fin spacing to prevent clogging, and the air is to be evenly drawn across the circumferential elements to prevent hot spots and prolong element life.

Fan and Motor

All motors are to be totally enclosed continuous duty with built-in automatic reset thermal overload protection. The fan motor shall operate on the same voltage as supplied to the heater. The heavy duty motor shall be rated at 1/3 HP and operate at 1.550 RPM and include permanently lubricated ball bearings. The fan blade to be dynamically balanced to provide a high volume of hot air.

Fan Interlock

Fan motor contactor shall be provided with auxiliary contacts to prevent heating elements from being energized unless the contacts of the motor contactor are closed.

Thermal Fan Delay

Thermal fan delay shall be provided to allow fan motor to continue to operate after the heating thermostat has been satisfied to maximize transfer of generated heat to space being heated and to extend the operating life of the elements.

Contactors and Line Fusing

All heaters drawing 48 Amps or greater are to be subdivided into two (2) circuits with built-in line fuses and controlling contactors.

Control Circuit

A 120 volt control circuit must be supplied with a unit mounted transformer to eliminate the need to run separate power to the unit for control.

Thermal Protection

An integral automatic reset thermal cutout shall be supplied for fast heat response and overheat protection.

Grille

A heavy gauge wire grill shall be provided to protect against accidental contact with the fan blade.

Louvers

An adjustable discharge grill is to be provided to direct the airflow up or down.

Mounting Brackets

Universal wall and ceiling mounting brackets are to be included to provide flexibility in the mounting arrangement.