

## **HVH Horizontal or Vertical Discharge Fan-Forced Unit Heater**

**Versatile, Fan-Forced Heating for All Types of Commercial and Industrial Applications**



The Chromalox® HVH self-contained blower heater provides quiet, reliable, fan-forced heat for all types of commercial and industrial applications. The hallmark of the HVH blower heater is its versatility. It can provide vertical or horizontal airflow and can be mounted on walls or ceilings. Optional wall or ceiling swivel mounting brackets help direct airflow exactly where it is needed. Heavy-duty construction affords long, dependable service, while its two-tone gray polyester powder coat finish makes an attractive appearance.

## Applications

- Shipping and receiving areas
- Pump houses
- Power generating stations
- Aircraft hangars
- Factories
- Warehouses
- Garages

Individually adjustable discharge louvers for directing airflow, wall or ceiling mounting, and optional swivel mounting, make the HVH heater ideal for

- Primary heating
- Supplementary heating
- Dual-system heating
- Spot heating
- Entryway air-curtain heating

## Advantages

- Self contained
- Versatile, flexible, and high performance
- Easy installation
- Minimum maintenance
- Long life
- Attractive appearance



## Features

### Integral 24 V Control Transformer

Standard on most models. See specifications and ordering information for standard control voltages.

### Heavy-Duty Magnetic Contactors

Standard on all models except 2.6 through 5 kW single phase models, except for 480 V models.

### Linear Thermal Cutouts

Open the control circuit and disconnect power to the heating elements if overheating occurs. Automatic Reset allows the control circuit to reclose and restore power when temperature returns to normal.

### Field Convertible

Combination 208/240 V and 1- or 3-phase operation through 10 kW.

## Construction

### Cabinet

Heavy 20-gauge steel, 2.6 to 15 kW models; 18-gauge steel, 25 to 50 kW models. Phosphate undercoated for corrosion resistance. Finished in a two-tone gray polyester powder coat.

### Louvers

Individually adjustable. Direct airflow up or down as needed.

### Fintube® Heating Elements

Corrosion resistant steel fins furnace-brazed to a tubular heating element, assuring long life and superior heat transfer.

### Fan Motor

Totally enclosed fan motor is rated for continuous duty with built-in thermal cutout and operates on the same voltage as the heating circuit.

### Dynamically Balanced Fan

Ensures smooth, quiet operation. Blade pitch is carefully selected so that the volume of air moved results in the optimum discharge air temperature. Pull-through airflow design draws air across heating elements for more even airflow distribution and cooler element operation.

## Versatile Mounting Configurations

### Vertical Discharge

Recessed fasteners on the rear of the heater cabinet are internally threaded for suspension of unit in the vertical discharge mode with threaded rods.

### Horizontal Discharge Ceiling Bracket

The ceiling bracket enables the heater to be mounted directly to the ceiling or overhead member simply and easily. The optional swivel mounting bracket allows up to 180° rotation to adjust the direction of warm airflow for maximum comfort.

### Wall Mounting Bracket

The optional wall mounting bracket permits the heater to be rotated to face any direction.

## Mounting Limitations

### Hazardous Atmosphere

Unit heaters should not be used in potentially explosive atmospheres.

### Atmosphere

Finish is not intended for direct salt spray exposure in marine applications, washdown environments, or the highly corrosive atmospheres of greenhouses, swimming pools, chemical storage bins, etc.

### Mounting Height

Do not install unit heaters above or below recommended maximum mounting height. Obstructions must not block unit heater air inlet or discharge.

## HVH Heaters at a Glance

- 2.6 - 50 kW
- 8,900 – 170,600 Btuh
- 208, 240, 277, 480, and 600 volt
- 1 or 3 phase
- Vertical or horizontal airflow
- Wall- or ceiling-mounted configurations
- CSA Certified to US and Canadian Standards
- CE approval

## Factory Installed or Field Installation Kits

### Summer Fan Switch Kit

Field installable for circulating warm, stratified air. Available for all models.

### Thermostat Kits

Field installable on all models. Range 40° to 90°F / 4° to 32°C. Thermostats 55° to 105°F / 13° to 41°C also available.

#### Available Thermostat Kits\*

Model	Rating	PCN	Stock	Wt lb/kg
TK-5	SPST	219475	S	0.25/0.11
TK-6	DPST	219483	S	0.25/0.11

### Disconnect Switch Kits

Field-installable switch enables power to be disconnected while servicing heater. 50 amp rating. Mounts on the front of the heater.

#### Available Disconnect Switch Kits\*

Model	Rating	PCN	Stock	Wt lb/kg
HDS-1	50 amps	219491	S	0.5/023
HDS-2	80 amps	219790	NS	1.0/045
HDS-3	100 amps	219803	NS	2.0/091

### Outlet Screen

Prevents objects from coming in contact with fan.

## Factory Installed Options

### Pilot Light

Recommended.

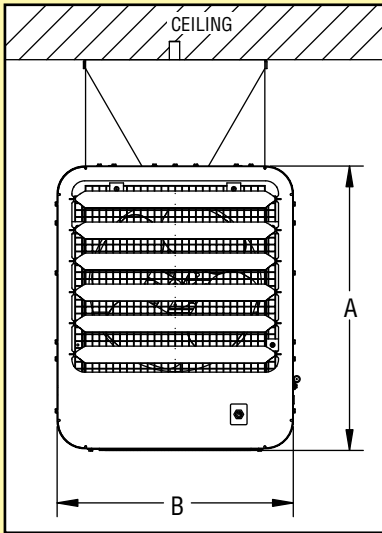
### Time Delay (Heat On and Off)

Provides delay of fan operation until elements have warmed up. Fan stays on until cool.

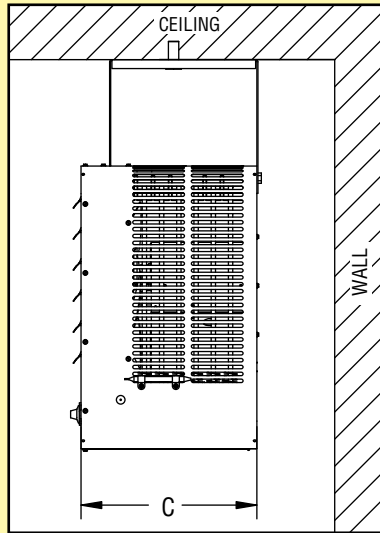


\*See recommended control options to find the correct kit for each model.

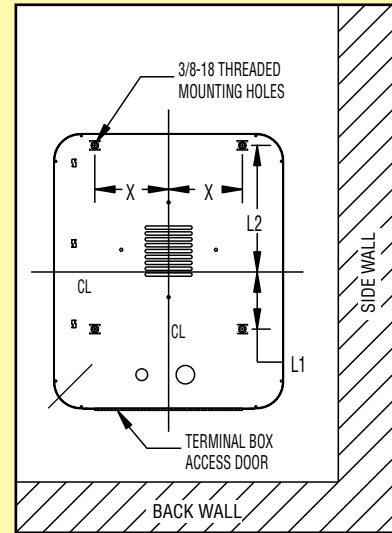
## Horizontal Discharge Dimensions



Front View



Side View



Rod Thread Type and Spacing Dimensions for Vertical Discharge

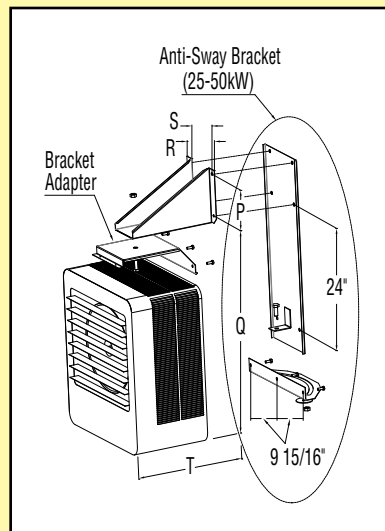
## Horizontal Discharge Dimensions

Heater	Dimensions in./mm		
	A	B	C
HVH-02 to 05 (Except 600 V)	16 1/4/410	13/330	10/254
HVH-07 to 15 (Except 600 V)	20 3/8/524	17 1/8/435	12 3/4/324
HVH 02 to 15 (600 V)	20 3/8/524	17 1/8/435	14 1/16/357
HVH-20 (All Voltages)	20 3/8/524	17 1/8/435	14 1/16/357
HVH-25 to 50 (All Voltages)	29 3/16/741	26 1/16/662	14 3/8/357

## Rod Thread Type and Spacing Dimensions for Horizontal Discharge

Unit	Rod Thread Type	Dimensions in./mm		
		L1	L2	X
2 to 5 kW	3/8-16	2 1/8/70	7 1/8/181	3 3/4/95
7.5 to 20 kW	3/8-16	4 3/16/110	9 3/8/247	5 1/2/140
25 to 50 kW	3/8-16	8 3/16/211	14/356	9 15/16/252

## Optional Wall Swivel Mounting Bracket

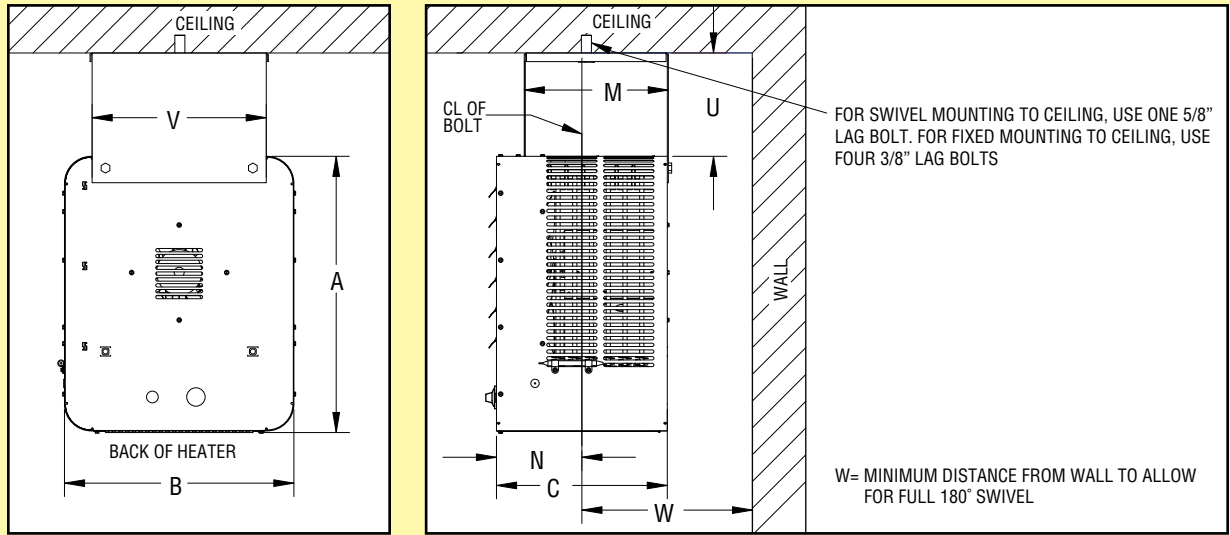


Front View

## Wall Swivel Mounting Bracket Specifications

Bracket Model No.	Dimensions in./mm					Bracket Wt. lb/kg	Use with
	P	Q	R	S	T		
HVW-1	6 1/8/157	18 3/8/479	7/178	5/127	17 3/8/448	4/95	HVH-02 to 05
HVW-2	6 1/8/157	23 1/4/591	7/178	5/127	18 3/8/473	6/165	HVH-07 to 15
HVW-3	6/152	23 3/16/595	7/178	5/127	20 1/16/510	6/152	HVH-02 to 15 (600 V), HVH-20 (All Voltages)
HVW-4	8/203	32 13/16/834	10 3/8/264	8 1/2/216	22 3/16/570	27/686	HVH-25 to 50

## Optional Ceiling Swivel Mounting Bracket



Front View

Side View

## Ceiling Swivel Mounting Bracket Specifications

Bracket Model No.	Dimensions in./mm								Bracket Wt. lb/kg	Use with
	A	B	C	M	N	U	V	W		
HVC-1	16 1/8/410	13/330	10/254	8 3/8/213	5 3/4/146	7 3/4/197	9 3/4/248	12/305	4/1.8	HVH-02, 04, 05
HVC-2	20 3/8/524	17 1/8/435	12 3/4/324	10 3/4/273	6 3/4/172	7 3/4/197	12/305	12/305	8/3.6	HVH-07, 10, 12, 15
HVC-3	20 3/8/524	17 1/8/435	14 1/8/357	12 1/8/306	8 1/8/205	7 3/4/197	13 5/8/354	8/203	8/3.9	HVH-02 to 15 (600 V), HVH-20 (All Voltages)
HVC-4	29 13/16/757	26 1/8/510	14 3/8/372	11 3/4/299	8 3/8/208	7 3/4/197	22 5/8/567	8 7/8/214	17/7.7	HVH-25 to 50

## Optional Fan-Only Kits

Description	Model	PCN	Stock	Wt. lb/kg
Fan switch, no relay	HVF-01	219504	S	0.25/0.11
Fan switch, 24 V relay	HVF-02	219512	S	0.5/0.23
Fan switch, 120 V relay	HVF-03	219520	S	0.5/0.23

# Specifications & Ordering Information

Electrical (60 Hz)					Motor				CFM	Air Delivery			Mtg. Height (ft/m)	Ordering			
kW	Volts	Ckt & Phase	Amps <sup>4</sup>	Control Volts	Volts	Phase	HP	RPM		FPM	Temp. Rise (°F/°C)	Horiz. Throw (ft/m)		Model	Stock	PCN	lb/kg
2.6	208	1-1	13.1	N/A	208	1	1/40	1,650	410	880	21/12	12/4	8/2	HVH-02-81-00	S	219096	32/15
2/2.6	208/240	1-1	11.4 <sup>2</sup>	N/A	240	1	1/40	1,650	410	880	21/12	12/4	8/2	HVH-02-21-00	S	219019	32/15
2.6	277	1-1	9.6	N/A	277	1	1/30	1,550	360	770	24/13	12/4	8/2	HVH-02-71-00	S	219117	32/15
4	208	1-1	19.8	N/A	208	1	1/40	1,650	410	880	31/17	12/4	8/2	HVH-04-81-00	S	219125	32/15
4	208	1-3 <sup>3</sup>	11.7	208/240	208	1	1/40	1,650	410	880	31/17	12/4	8/2	HVH-04-83-34	S	219133	32/15
3/4	208/240	1-1	17.2 <sup>2</sup>	N/A	240	1	1/40	1,650	410	880	31/17	12/4	8/2	HVH-04-21-00	S	219141	32/15
3/4	208/240	1-3	10.2 <sup>2</sup>	208/240	240	1	1/40	1,650	410	880	31/17	12/4	8/2	HVH-04-23-34	S	219150	32/15
4	277	1-1	14.6	N/A	277	1	1/30	1,550	360	770	35/19	12/4	8/2	HVH-04-71-00	S	219168	32/15
4	480	1-3	5.1	24	480	1	1/35	1,550	380	815	33/18	12/4	8/2	HVH-04-43-30	S	219176	32/15
5	208	1-1	24.6	N/A	208	1	1/40	1,650	410	880	39/22	12/4	8/2	HVH-05-81-00	S	219184	32/15
5	208	1-3 <sup>3</sup>	14.5	208/240	208	1	1/40	1,650	410	880	39/22	12/4	8/2	HVH-05-83-34	S	219192	32/15
3.75/5	208/240	1-1	21.4	N/A	240	1	1/40	1,650	410	880	39/22	12/4	8/2	HVH-05-21-00	S	219205	32/15
3.75/5	208/240	1-3 <sup>3</sup>	12.6	208/240	240	1	1/40	1,650	410	880	39/22	12/4	8/2	HVH-05-23-34	S	219213	32/15
5	277	1-1	18.3	N/A	277	1	1/30	1,550	360	770	44/24	12/4	8/2	HVH-05-71-00	S	219221	32/15
5	480	1-3	6.3	24	480	1	1/35	1,550	380	815	42/23	12/4	8/2	HVH-05-43-30	S	219230	32/15
7.5	208	1-1 <sup>3</sup>	36.5	208/240	208	1	1/15	1,725	850	1,040	28/16	27/8	8/2	HVH-07-81-34	S	219248	50/23
7.5	208	1-3	21.3	208/240	208	1	1/15	1,725	850	1,040	28/16	27/8	8/2	HVH-07-83-34	S	219256	50/23
5.6/7.5	208/240	1-1 <sup>3</sup>	31.7 <sup>2</sup>	208/240	240	1	1/15	1,725	850	1,040	28/16	27/8	8/2	HVH-07-21-34	S	219264	50/23
5.6/7.5	208/240	1	18.5 <sup>2</sup>	208/240	240	1	1/15	1,725	850	1,040	28/16	27/8	8/2	HVH-07-23-34	S	219272	50/23
7.5	277	1-1	27.7	24	277	1	1/15	1,550	750	920	32/18	27/8	8/2	HVH-07-71-30	S	219280	50/23
7.5	480	1-3	9.9	24	480	3	1/15	1,725	850	1,040	28/16	27/8	8/2	HVH-07-43-30	S	219299	50/23
7.5	600	1-3	7.6	24	575	3	1/3	1,725	850	1,040	28/16	27/8	8/2	HVH-07-63-30	NS	—	50/23
9.7	208	1-1 <sup>3</sup>	47.1	208/240	208	1	1/15	1,725	850	1,040	37/21	27/8	9/3	HVH-10-81-34	S	219301	50/23
9.7	208	1-3	27.4	208/240	208	1	1/15	1,725	850	1,040	37/21	27/8	9/3	HVH-10-83-34	S	219310	50/23
7.5/10	208/240	1-1 <sup>3</sup>	42.1 <sup>2</sup>	208/240	240	1	1/15	1,725	850	1,040	37/21	27/8	9/3	HVH-10-21-34	S	219328	50/23
7.5/10	208/240	1-3	24.5 <sup>2</sup>	208/240	240	1	1/15	1,725	850	1,040	37/21	27/8	9/3	HVH-10-23-34	S	219336	50/23
10	480	1-3	12.9	24	480	3	1/15	1,725	850	1,040	37/21	27/8	9/3	HVH-10-43-30	S	219344	50/23
10	600	1-3	10.6	24	575	3	1/3	1,725	850	1,040	37/21	27/8	9/3	HVH-10-63-30	NS	—	50/23
12.5	208	1-3	35.2	208/240	208	1	1/15	1,725	850	1,040	47/26	27/8	9/3	HVH-12-83-34	S	219352	50/23
9.3/12.5	208/240	1-3	30.6	208/240	240	1	1/15	1,725	850	1,040	47/26	27/8	9/3	HVH-12-23-34	S	219360	50/23
12.5	480	1-3	15.9	24	480	3	1/15	1,725	850	1,040	47/26	27/8	9/3	HVH-12-43-30	S	219379	50/23
12.5	600	1-3	12.6	24	575	3	1/3	1,725	850	1,040	47/26	27/8	9/3	HVH-12-63-30	NS	—	50/23
15	208	1-3	42.1	208/240	208	1	1/15	1,725	850	1,040	56/31	27/8	10/3	HVH-15-83-34	S	219387	50/23
11.25/15	208/240	1-3	36.6 <sup>2</sup>	208/240	240	1	1/15	1,725	850	1,040	56/31	27/8	10/3	HVH-15-23-34	S	219395	50/23
15	480	1-3	19.0	24	480	3	1/15	1,725	850	1,040	56/31	27/8	10/3	HVH-15-43-30	S	219408	50/23
15	600	1-3	15.6	24	575	3	1/3	1,725	850	1,040	56/31	27/8	10/3	HVH-15-63-30	NS	—	50/23
14.7/19.8	208/240	1-3	47.7	24	240	3	1/3	1,725	1,500	1,750	49/27	27/8	13/4	HVH-20-23-30	NS	219563	65/30
19.8	480	1-3	23.9	24	480	3	1/3	1,725	1,500	1,750	49/27	27/8	13/4	HVH-20-43-30	NS	219571	65/30
19.8	600	1-3	19.4	24	575	3	1/3	1,725	1,500	1,750	49/27	27/8	13/4	HVH-20-63-30	NS	219580	65/30
18.7/24.9	208/240	1-3	60.1	24	240	3	1/3	1,725	2,500	1,650	27/15	36/11	13/4	HVH-25-23-30	NS	219598	90/41
25.0	480	1-3	30.2	24	480	3	1/3	1,725	2,500	1,650	27/15	36/11	13/4	HVH-25-43-30	NS	219600	90/41
25.0	600	1-3	24.3	24	575	3	1/3	1,725	2,500	1,650	27/15	36/11	13/4	HVH-25-63-30	NS	219619	90/41
22.4/29.9	208/240	1-3	72	24	240	3	1/3	1,725	2,500	1,650	34/19	36/11	13/4	HVH-30-23-30	NS	219627	90/41
30.0	480	1-3	36.2	24	480	3	1/3	1,725	2,500	1,650	34/19	36/11	13/4	HVH-30-43-30	NS	219635	90/41
30.0	600	1-3	29	24	575	3	1/3	1,725	2,500	1,650	34/19	36/11	13/4	HVH-30-63-30	NS	219643	90/41
25.6/34.0	208/240	1-3	82.1	24	240	3	1/3	1,725	3,100	2,100	40/22	36/11	13/4	HVH-35-23-30	NS	219651	90/41
34.0	480	1-3	41.1	24	480	3	1/3	1,725	3,100	2,100	40/22	36/11	13/4	HVH-35-43-30	NS	219660	90/41
34.2	600	1-3	33	24	575	3	1/3	1,725	3,100	2,100	40/22	36/11	13/4	HVH-35-63-30	NS	219678	90/41
28.1/37.4	208/240	1-3	90.1	24	240	3	1/3	1,725	3,100	2,100	45/25	36/11	16/5	HVH-40-23-30	NS	219686	100/45
37.4	480	1-3	45.1	24	480	3	1/3	1,725	3,100	2,100	45/25	36/11	16/5	HVH-40-43-30	NS	219694	100/45
37.5	600	1-3	36.2	24	575	3	1/3	1,725	3,100	2,100	45/25	36/11	16/5	HVH-40-63-30	NS	219707	100/45
33.7/44.8	208/240	1-3	108	24	240	3	1/3	1,725	3,100	2,100	51/28	36/11	16/5	HVH-45-23-30	NS	219715	100/45
44.8	480	1-3	54	24	480	3	1/3	1,725	3,100	2,100	51/28	36/11	16/5	HVH-45-43-30	NS	219723	100/45
45.2	600	1-3	43.6	24	575	3	1/3	1,725	3,100	2,100	51/28	36/11	16/5	HVH-45-63-30	NS	219731	100/45
38.4/51.1	208/240	1-3	123.1	24	240	3	1/3	1,725	3,100	2,100	57/32	36/11	16/5	HVH-50-23-30	NS	219740	100/45
51.1	480	1-3	61.6	24	480	3	1/3	1,725	3,100	2,100	57/32	36/11	16/5	HVH-50-43-30	NS	219758	100/45
51.3	600	1-3	49.5	24	575	3	1/3	1,725	3,100	2,100	57/32	36/11	16/5	HVH-50-63-30	NS	219766	100/45

Stock Status: S = Stock, AS = Assembly Stock, NS = Non-Stock. To order specify model, PCN, kW, volts, phase and quantity.

- For motor data, see table.
- 208 V amperage is 86% of 240 V value.
- Models can be field wired for 1 or 3 phase.
- Includes motor amps.
- Maximum mounting height for effective heat distribution. Minimum height is 7 feet/2 meters.

Other Notes:

- All heaters have built-in contactors except 2.6 kW thru 5 kW single phase models, and stock 480 V models have built-in control transformers and contactors with 24 V holding coils. Stock 208 V and 240 V 3 phase models, 4 kW through 15 kW, have 208/240 V holding coils while stock 208 V and 240 V 3 phase models above 15 kW have 24 V holding coils. All stock 277 V models have 277 V holding coils.
- Optional contactors holding coil voltages of 24 V or 120 V and control voltage transformers, are available as made-to-order models for all heater ratings.

## Recommended Control Options

Heater		Field-Installed Options																	Factory-Installed Options			
		Wall Bracket Options				Ceiling Bracket Options				Outlet Screen Options			Thermostat Options		Disconnect Options			Fan Switch Options				
Model No.	PCN	HVW-1 219416	HVW-2 219424	HVW-3 219782	HVW-4 219820	HVC-1 219432	HVC-2 219440	HVC-3 219811	HVC-4 219838	HVS-1 219459	HVS-2 219467	HVS-3 219774	TK-5 219475	TK-6 219483	HDS-1 219491	HDS-2 219790	HDS-3 219803	HVF-01 219504	HVF-02 219512	HFD-1 <sup>A</sup>	PL-1 <sup>B</sup>	
HVH-02-81-00	219096	X				X				X				X	X							X
HVH-02-21-00	219109	X				X				X				X	X							X
HVH-02-71-00	219117	X				X				X				X	X							
HVH-04-81-00	219125	X				X				X				X	X							X
HVH-04-83-34	219133	X				X				X		X		X	X			X		X	X	X
HVH-04-21-00	219141	X				X				X				X	X							X
HVH-04-23-34	219150	X				X				X		X		X	X			X		X	X	X
HVH-04-71-00	219168	X				X				X				X	X							X
HVH-04-43-30	219176	X				X				X		X		X	X			X		X	X	X
HVH-05-81-00	219184	X				X				X				X	X							X
HVH-05-83-34	219192	X				X				X		X		X	X			X				X
HVH-05-21-00	219205	X				X				X				X	X							X
HVH-05-23-34	219213	X				X				X		X		X	X			X				X
HVH-05-71-00	219221	X				X				X				X	X							
HVH-05-43-30	219230	X				X				X		X		X	X			X		X	X	X
HVH-07-81-34	219248		X				X				X	X	X	X	X			X				X
HVH-07-83-34	219256		X				X				X	X	X	X	X			X				X
HVH-07-21-34	219264		X				X				X	X	X	X	X			X				X
HVH-07-23-34	219272		X				X				X	X	X	X	X			X				X
HVH-07-71-30	219280		X				X				X	X	X	X	X			X				
HVH-07-43-30	219299		X				X				X	X	X	X	X			X	X	X	X	X
HVH-10-81-34	219301		X				X				X	X	X	X	X			X				X
HVH-10-83-34	319310		X				X				X	X	X	X	X			X				X
HVH-10-21-34	219328		X				X				X	X	X	X	X			X				X
HVH-10-23-34	219336		X				X				X	X	X	X	X			X				X
HVH-10-43-30	219344		X				X				X	X	X	X	X			X	X	X	X	X
HVH-12-83-34	219352		X				X				X	X	X	X	X			X				X
HVH-12-23-34	219360		X				X				X	X	X	X	X			X				X
HVH-12-43-30	219379		X				X				X	X	X	X	X			X	X	X	X	X
HVH-15-83-34	219387		X				X				X	X	X	X	X			X				X
HVH-15-23-34	219395		X				X				X	X	X	X	X			X				X
HVH-15-43-30	219408		X				X				X	X	X	X	X			X	X	X	X	X
HVH-20-23-30	219563			X				X			X	X	X	X	X			X				X
HVH-20-43-30	219571			X				X			X	X	X	X	X			X				X
HVH-20-63-30	219580			X				X			X	X	X	X	X			X				X
HVH-25-23-30	219598				X			X		X	X	X	X	X	X	X		X			X	X
HVH-25-43-30	219600				X			X		X	X	X	X	X	X			X			X	X
HVH-25-63-30	219619				X			X		X	X	X	X	X	X			X			X	X
HVH-30-23-30	219627				X			X		X	X	X	X	X	X	X		X			X	X
HVH-30-43-30	219635				X			X		X	X	X	X	X	X			X			X	X
HVH-30-63-30	219643				X			X		X	X	X	X	X	X			X			X	X
HVH-35-23-30	219651				X			X		X	X	X	X	X	X		X	X			X	X
HVH-35-43-30	219660				X			X		X	X	X	X	X	X			X			X	X
HVH-35-63-30	219678				X			X		X	X	X	X	X	X			X			X	X
HVH-40-23-30	219686				X			X		X	X	X	X	X	X		X	X			X	X
HVH-40-43-30	219694				X			X		X	X	X	X	X	X			X			X	X
HVH-40-63-30	219707				X			X		X	X	X	X	X	X			X			X	X
HVH-45-23-30 <sup>C</sup>	219715				X			X		X	X	X	X	X	X			X			X	X
HVH-45-43-30	219723				X			X		X	X	X	X	X	X	X		X			X	X
HVH-45-63-30	219731				X			X		X	X	X	X	X	X	X		X			X	X
HVH-50-23-30 <sup>C</sup>	219740				X			X		X	X	X	X	X	X			X			X	X
HVH-50-43-30	219758				X			X		X	X	X	X	X	X	X		X			X	X
HVH-50-63-30	219766				X			X		X	X	X	X	X	X	X		X			X	X

Notes:

A. HFD-1 is a fan delay on/off relay. Fan delay is standard on heaters 20 kW and above.

B. PL-1 is a green pilot light indicating power to heater.

C. Disconnect switch not available.

## Custom Ordering Information

When ordering HVH heaters, specify the model number and corresponding PCN (Product Code Number). If controls (thermostat, fan switch, transformer, disconnect) or other options are desired, designate them in the model number when ordering, as shown below. Always specify voltage, phase, and kW by listing them on the purchase order specifications.

HVH	Horizontal or Vertical Discharge Blower Heater										
	<b>kW</b>										
	02	2.6 kW									
	04	4.0 kW									
	05	5.0 kW									
	07	7.5 kW									
	10	10.0 kW									
	12	12.5 kW									
	15	15.0 kW									
	20	19.8 kW									
	25	25.0 kW									
	30	30.0 kW									
	35	33.3 kW									
	40	37.5 kW									
	45	45.0 kW									
	50	50.0 kW									
			<b>Volts</b>								
	2	240 V									
	4	480 V									
	6	600 V									
	7	277 V									
	8	208 V									
	A	220 V									
	B	380 V									
	C	400 V									
	D	415 V									
			<b>Phase</b>								
	1	1									
	3	3									
			<b>Control</b>								
	00	No Contactor									
	30	Contactor with 24 V Transformer									
	31	Contactor with 24 V Externally Supplied									
	32	Contactor with 120 V Transformer									
	33	Contactor with 120 V Externally Supplied									
	34	Contactor with 208/240 V Internally Supplied									
	35	Contactor with 277 V Internally Supplied									
			<b>Integral Thermostat</b>								
	0	None									
	TL	40°-90°F/4°-32°C Range									
	TH	55°-105°F/13°-41°C Range									
			<b>Disconnect Switch</b>								
	0	None									
	D	Yes									
			<b>Fan-Only Switch</b>								
	00	None									
	FI	Internal (In Heater)									
	FE	External (On Wall)									
			<b>Time Delay</b>								
	0	None									
	R	Yes (Std on 20-50 kW models)									
			<b>Pilot Light</b>								
	0	None									
	P	Yes									
			<b>Outlet Screen</b>								
	0	None									
	S	Yes									
HVH	05	2	1	34	TL	D	FI	0	0	0	Typical Model Number

Note: 20-50 kW models available in 208/240, 480, and 600 V only.

## Chromalox®

PRECISION HEAT AND CONTROL

103 Gamma Drive  
Pittsburgh, PA 15238  
USA

Phone: (412) 967-3800  
Fax: (412) 967-5148  
Toll-Free: 1-800-443-2640

email: sales@chromalox.com  
www.chromalox.com

**Chromalox-UK**  
Tel: +44 (0)20 8665 8900  
Fax: +44 (0)20 8689 0571

email: uksales@chromalox.com  
www.chromalox.co.uk

**Chromalox-France**  
Tel: +33 (0)3 23 74 39 39  
Fax: +33 (0)3 23 74 39 00

email: francesales@chromalox.fr  
www.chromalox.fr

**Chromalox-India**  
Tel: +91-11-25623134  
Fax: +91-11-25623480

email: indiasales@chromalox.com  
www.chromalox.in

**Chromalox-China**  
Tel: +86 (0)21 5866-8802  
Fax: +86 (0)21 5866-8803

email: shanghai.office@chromalox.com  
www.chromalox.cn

**Chromalox-Thailand**  
Tel: +66 (0) 38 492944/5  
Fax: +66 (0) 38 492946

email: asiasales@chromalox.com  
www.chromalox.com