

# KUH

KUH PDS

## Horizontal Unit Heater



- 2.6 kW to 45 kW
- 208, 240, 277  
480, 600 Volts
- Single or 3-Phase
- 8,900 to 153,600 BTU/Hour
- Wall or Ceiling Mounting
- Meets UL and CSA  
Requirements  
(600V CSA Certified Only)



**Chromalox**<sup>®</sup>  
PRECISION HEAT AND CONTROL

### Description

The KUH horizontal unit heater provides quiet, reliable fan-forced heating in all types of commercial and industrial structures. Each heater houses a bank of Chromalox patented metal sheath Fintube<sup>®</sup> radiating heating elements with furnace brazed steel fins for long life and superior heat transfer. KUH heaters are versatile, flexible, high performance units that are easily installed in various mounting configurations for primary, supplementary or spot heating applications. Each unit is self-contained in a rugged construction for long life and require little maintenance. Complementary to modern structure, these heaters have a good, clean appearance. For assured safety, all units meet the requirements of UL (File No. E7061) and CSA (File No. LR40859).

### Construction

The cabinet is constructed of heavy 18-gauge steel, phosphate undercoated for corrosion resistance, and finished in gray powder-coat. Quiet, vibration-free operation is enabled through the combination fan guard and motor mount attached to the heating housing with rubber vibration isolators. Quality heating element construction assures years of maintenance-free operation.

### Applications

The clean design and quality construction of the KUH heater, plus meeting UL and CSA requirements, make it a safe, appropriate heating choice for:

- Shipping Rooms
- Pump Houses
- Power Generating Stations
- Aircraft Hangers
- Factories
- Warehouses
- Garages

Because it has individually adjustable discharge louvers to direct air flow, and can be wall or ceiling (plus swivel) mounted, the KUH heater may be used in a variety of heating applications:

- Primary Heating
- Supplementary Heating
- Dual System Heating
- Spot Heating
- Entryway Air Curtain Heating

# KUH Horizontal Unit Heater

## Features

Totally enclosed fan motor. Continuous duty with built-in thermal cutouts operates on same voltage as the heating circuit.

Field installed disconnect switch (optional)

Die-formed heavy gauge steel housing with attractive gray powder coat finish.

Magnetic Contactors Standard

Mount with threaded rods or optional wall or ceiling swivel mounting brackets. Seismic rated.

Individually adjustable louvers to direct air flow as needed.

Field installed summer fan switch (optional).

Field installed thermostat with adjustment switch (optional).



## Electrical & Control Components

The self-contained electrical and control features of the KUH simplify installation and ensure safe, long term operation.

Heavy duty magnetic control contactors are standard on all models except single-phase 2.6 thru 5 kW models, which are standard without contactors for control by external line voltage thermostat. Optional contactors are also available for these models.

- All heaters with a total current draw of 48 Amps or greater have electrically balanced, **subdivided circuits with individual fuse protection**. The fuse compartment is conveniently located for easy access.
- An **internal 24 volt control transformer**, standard on 480V models, eliminates a need for an external control source.

Horizontal type heaters mount on wall or ceiling. Recessed welded fasteners on top of housing are internally threaded for suspension of unit with threaded rods. Also there are optional ceiling and wall swivel mounting brackets. The ceiling bracket lets you mount the Horizontal Unit Heater direct to the ceiling or overhead member, simply and easily. The wall swivel mounting bracket makes for easy wall mounting. Swivel type mounting lets you readily adjust direction of warm air flow for optimum comfort, 180 degrees if need be.

- **The Electric Heat Bank** — Chromalox patented metal sheath Fintube® heating elements. Heat radiating fins are steel, furnace brazed to the tubular heating elements for good heat transfer.

They don't come loose! Wide spacing minimizes clogging.

- **Thermal overload cutouts** open the control circuit and disconnect power to the heating elements if overheating occurs. **Automatic reset** allows the control circuit to reclose and restore power when the temperature falls to normal levels.
- **Dynamically balanced fan** for smooth, quiet running. Blade pitch is carefully selected so that the volume of air moved results in the optimum discharge air temperature.

# KUH Horizontal Unit Heater

## Specifications And Ordering Information

To order please specify kW, volts, phase, catalog number, PCN and quantity. See back page for control, thermostat and fan options.

kW	Electrical Data (60 Hz)					Fan Motor				Mounting Data					Status*	PCN	Wt. lbs.	
	Volts	Watts	Phase	Amps	BTU/H	Volts	Phase	RPM	HP	Air Fan Dia.	Temp. Velo. CFM	Rise °F	Max. Ht.	Hor. Throw				Catalog No.
2.6	208	2,667	1	12.8	8,850	208	1	1650	1/40	9"	410	21°	8'	12'	KUH-02-81-00	S	304004	35
2.0/2.6	208/240	2,000/2,667	1	11.1***	8,850	240	1	1650	1/40	9"	410	21°	8'	12'	KUH-02-21-00	S	304012	
2.6	277	2,667	1	9.6	8,850	277	1	1550	1/30	9"	360	24°	8'	12'	KUH-02-71-00	S	304020	
4	208	4,000	1	19.2	13,661	208	1	1650	1/40	9"	410	31°	8'	12'	KUH-04-81-00	S	304039	35
4	208	4,000	3	11.2	13,661	208	1	1650	1/40	9"	410	31°	8'	12'	KUH-04-83-34	S	304047	
3/4	208/240	3,000/4,000	1	16.7***	13,661	240	1	1650	1/40	9"	410	31°	8'	12'	KUH-04-21-00	S	304055	
3/4	208/240	3,000/4,000	3	9.6***	13,661	240	1	1650	1/40	9"	410	31°	8'	12'	KUH-04-23-34	S	304063	
4	277	4,000	1	14.5	13,661	277	1	1550	1/30	9"	360	35°	8'	12'	KUH-04-71-00	S	304071	
4	480	4,000	3	4.8	13,661	480	1	1550	1/35	9"	380	33°	8'	12'	KUH-04-43-30	S	304080	
5	208	5,000	1	24.0	17,076	208	1	1650	1/40	9"	410	39°	8'	12'	KUH-05-81-00	S	304098	35
5	208	5,000	3	13.8	17,076	208	1	1650	1/40	9"	410	39°	8'	12'	KUH-05-83-34	S	304100	
3.75/5	208/240	3,750/5,000	1	20.8***	17,076	240	1	1650	1/40	9"	410	39°	8'	12'	KUH-05-21-00	S	304119	
3.75/5	208/240	3,750/5,000	3	12.1***	17,076	240	1	1650	1/40	9"	410	39°	8'	12'	KUH-05-23-34	S	304127	
5	277	5,000	1	18.2	17,076	277	1	1550	1/30	9"	360	44°	8'	12'	KUH-05-71-00	S	304135	
5	480	5,000	3	6.0	17,076	480	1	1550	1/35	9"	380	42°	8'	12'	KUH-05-43-30	S	304143	
7.5	208	7,500	1	36.1	25,598	208	1	1725	1/15	12"	850	28°	8'	27'	KUH-07-81-34	S	304151	55
7.5	208	7,500	3	20.9	25,598	208	1	1725	1/15	12"	850	28°	8'	27'	KUH-07-83-34	S	304160	
5.6/7.5	208/240	5,625/7,500	1	31.1***	25,598	240	1	1725	1/15	12"	850	28°	8'	27'	KUH-07-21-34	S	304178	
5.6/7.5	208/240	5,625/7,500	3	18.1***	25,598	240	1	1725	1/15	12"	850	28°	8'	27'	KUH-07-23-34	S	304186	
7.5	277	7,500	1	27.2	25,598	277	1	1550	1/15	12"	750	32°	8'	27'	KUH-07-71-30	S	304194	
7.5	480	7,500	3	9.0	25,598	480	3	1725	1/15	12"	850	28°	8'	27'	KUH-07-43-30	S	304207	
7.5	600	7,500	3	7.0	25,598	575	3	1725	1/3	12"	850	28°	8'	27'	KUH-07-63-32	NS	000000	
9.7	208	10,000	1	48.0	34,130	208	1	1725	1/15	12"	850	37°	9'	27'	KUH-10-81-34	S	304215	55
9.7	208	10,000	3	27.8	34,130	208	1	1725	1/15	12"	850	37°	9'	27'	KUH-10-83-34	S	304223	
7.5/10	208/240	7,500/10,000	1	41.7***	34,130	240	1	1725	1/15	12"	850	37°	9'	27'	KUH-10-21-34	S	304231	
7.5/10	208/240	7,500/10,000	3	24.0***	34,130	240	1	1725	1/15	12"	850	37°	9'	27'	KUH-10-23-34	S	304240	
10	480	10,000	3	12.0	34,130	480	3	1725	1/15	12"	850	37°	9'	27'	KUH-10-43-30	S	304258	
10	600	10,000	3	10.0	34,130	575	3	1725	1/3	12"	850	37°	9'	27'	KUH-10-63-32	NS	000000	
12.5	208	12,500	3	34.8	42,663	208	1	1725	1/15	12"	850	47°	9'	27'	KUH-12-83-34	S	394266	55
9.3/12.5	208/240	9,375/12,500	3	30.1***	42,663	240	1	1725	1/15	12"	850	47°	9'	27'	KUH-12-23-34	S	304274	
12.5	480	12,500	3	15.1	42,663	480	3	1725	1/15	12"	850	47°	9'	27'	KUH-12-43-30	S	304282	
12.5	600	12,500	3	12.0	42,663	575	3	1725	1/3	12"	850	47°	9'	27'	KUH-12-63-32	NS	000000	
15	208	15,000	3	41.8	51,195	208	1	1725	1/15	12"	850	56°	10'	27'	KUH-15-83-34	S	304290	55
11.25/15	208/240	11,250/15,000	3	36.2***	51,195	240	1	1725	1/15	12"	850	56°	10'	27'	KUH-15-23-34	S	304303	
15	480	15,000	3	18.1	51,195	480	3	1725	1/15	12"	850	56°	10'	27'	KUH-15-43-30	S	304311	
15	600	15,000	3	15.0	51,195	575	3	1725	1/3	12"	850	56°	10'	27'	KUH-15-63-32	NS	000000	
20	208/240	15,000/20,000	3	48.0***	68,460	240	3	1725	1/3	14"	1240	53°	11'	31'	KUH-20-23-34	S	304320	75
20	480	20,000	3	24.0	68,460	480	3	1725	1/3	14"	1240	53°	11'	31'	KUH-20-43-30	S	304338	
20	600	20,000	3	19.0	68,460	**	3	1725	1/3	14"	1240	53°	11'	31'	KUH-20-63-32	NS	000000	
25	480	25,000	3	30.0	85,525	480	3	1725	1/3	14"	1350	60°	12'	31'	KUH-25-43-30	S	304346	75
25	600	25,000	3	24.0	85,525	**	3	1725	1/3	14"	1350	60°	12'	31'	KUH-25-63-32	NS	000000	
30	208	30,000	3	83.4	102,390	240	3	1725	1/3	14"	1555	64°	13'	46'	KUH-30-83-34	S	304354	110
30	208/240	22,500/30,000	3	72.2***	102,390	240	3	1725	1/3	14"	1555	64°	13'	46'	KUH-30-23-34	S	304362	
30	480	30,000	3	36.1	102,390	480	3	1725	1/3	14"	1555	64°	13'	46'	KUH-30-43-30	S	304370	
30	600	30,000	3	29.0	102,390	**	3	1725	1/3	14"	1555	64°	13'	46'	KUH-30-63-32	NS	000000	
35	208/240	26,250/35,000	3	84.3***	119,455	240	3	1725	1/3	14"	1555	71°	14'	45'	KUH-35-23-34	S	304389	110
35	480	35,000	3	42.1	119,455	480	3	1725	1/3	14"	1555	71°	14'	45'	KUH-35-43-30	S	304397	
35	600	35,000	3	34.0	119,455	**	3	1725	1/3	14"	1555	71°	14'	45'	KUH-35-63-32	NS	000000	
40	208/240	30,000/40,000	3	96.0***	136,520	240	3	1725	1/3	14"	1555	84°	15'	44'	KUH-40-23-34	S	304400	110
40	480	40,000	3	48.0	136,520	480	3	1725	1/3	14"	1555	84°	15'	44'	KUH-40-43-30	S	304418	
40	600	40,000	3	39.0	136,520	**	3	1725	1/3	14"	1555	84°	15'	44'	KUH-40-63-32	NS	000000	
45	480	45,000	3	54.1	153,585	480	3	1725	1/3	14"	1555	94°	17'	42'	KUH-45-43-30	S	304426	110
45	600	45,000	3	43.0	153,585	**	3	1725	1/3	14"	1555	94°	17'	42'	KUH-45-63-32	NS	000000	

\* S = Stock; NS = Non-Stock

\*\* Check factory for motor data

\*\*\* 208V amperage is 86% of 240V value

### Notes:

1. All heaters have built-in contactors except 2.6 thru 5 kW Single Phase Models, and stock 480 volt models have built-in control transformers and contactor with 24 volt holding coils. All stock 208 and 240 volt models have 208/240 volt holding coils. All stock 277 volt models have 277 volt holding coils.

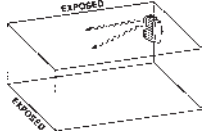
2. Optional contactors are available with 24 volt holding coils on made to order models.

**When total heater capacity exceeds 48 amps, built-in fusing is provided behind a hinged and latched door in the side which allows easy access.**

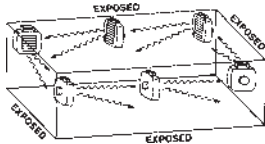
# KUH Horizontal Unit Heater

## Application Tips

**Small rooms** can be heated by a one (1) unit heater. Where two (2) walls are exposed, heater should be mounted as shown.



**Large rooms** require multi-unit installations. Number and capacity of units will be determined by volume of building and square feet of floor area to be heated. Arrange units to provide perimeter air circulation.



To prevent air stratification, total CFM capacity of all units should circulate the room air volume at least 3 times per hour. Units should be located so their air streams wipe exposed walls without blowing directly at them.

**In multiple unit heater installations**, locate units so each unit supports the air stream from another, thus setting up circulatory air movement.

**In warehouse type applications**, for maintaining minimum temperature, one or more large heaters can be used to reduce initial installation expense.

**For individual spaces** total heating capacity is calculated in the conventional way, using formulas in the ASHRAE "Guide" or those found in the NEMA handbook.

**For pedestrian entryways** when heating capacity is not known, a "rule of thumb" is 3000-5000 watts per door. Use 3000 watts per door for a low traffic single-door entry. For a large multiple-door entry, or a high traffic single-door entry, use 5000 watts per door.

**Loading Docks.** Unit heaters are used to combat cold air inrush when loading dock doors are opened. For such applications, one or more units should be arranged to blow warm air across the opening, not toward it.

## Mounting Recommendations

**Hazardous Atmosphere** - KUH Horizontal Unit heaters should not be used in potentially explosive atmospheres.

**Corrosive Atmosphere** - The finish is not intended for direct salt spray exposure in marine applications or the highly corrosive atmosphere of

greenhouses, swimming pools, chemical storage bins, etc.

**Mounting Height** - Do not install heaters above recommended maximum mounting height.

**Obstructions** - Must not block heater air inlet or discharge.

**Warning** - This heater is not intended for use in hazardous atmospheres where flammable vapors, gases, liquids or other combustible atmospheres are present as defined in the National Electric Code. Failure to comply can result in explosion or fire.

## Suggested Engineering Specifications

Furnish and install Chromalox type KUH Horizontal Unit Heaters with heating and air delivery capacities as shown on the heating schedule. Mounting brackets designed for either ceiling or wall swivel mounting shall be furnished as shown on the heating schedule. The cabinet shall be of 18 gauge die formed furniture grade steel. Individual adjustable louvers shall be furnished to provide desired control of discharge air. All metal surfaces of the casing shall be phosphate coated to resist corrosion, and finished in gray powder coated paint.

The electric heating bank shall consist of our metal sheath *Fintube*® heating elements. Automatic reset

thermal overload protection shall be wired for instantaneous pilot operation of built-in control contactor holding coil. Single phase units 2.6 thru 5kW shall have cutout wired in series with the motor and element.

All heaters drawing more than 48 amperes shall have built-in branch circuit fusing for protection.

Motors shall be of the totally enclosed continuous fan-duty sleeve bearing type equipped with built-in thermal overload protection. Each unit shall be equipped with a combination fan guard/motor support resiliently mounted at four points to absorb any motor vibration. Fans shall be aluminum, directly connected to fan motor, dynamically

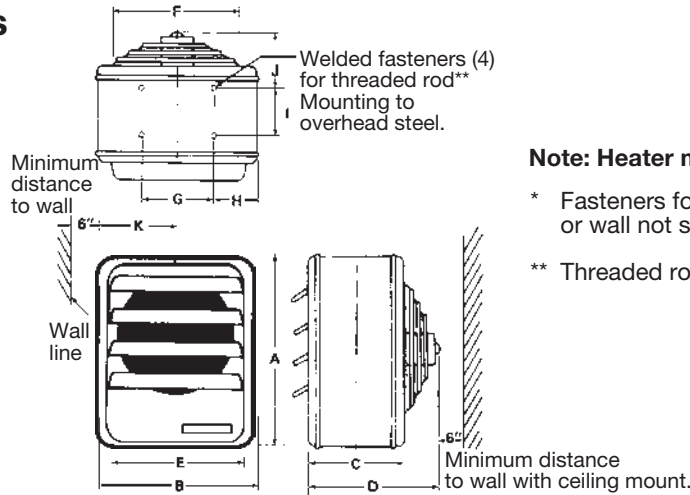
balanced and designed specifically for unit heater application.

Optional control transformers shall be available to internally develop safer low voltage for pilot-duty control circuits. Fan switching devices shall be available to independently operate the fan motor for summer circulation and winter heat recovery.

Individual optional built-in comfort control thermostat is integral or remote fan only switch and disconnect switch shall be available, for all models. All heaters should be UL Listed and CSA Certified and meet the requirements of the National Electrical Code.

# KUH Horizontal Unit Heater

## Dimensions



**Note: Heater must be mounted at least 7' above floor.**

\* Fasteners for mounting bracket to ceiling or wall not supplied.

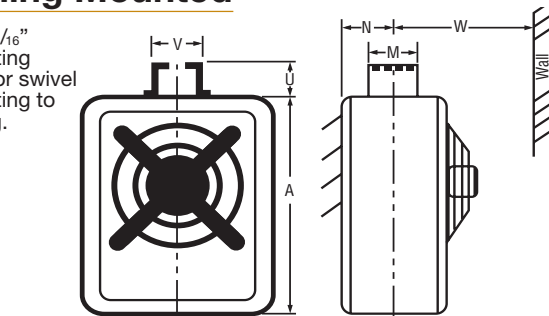
\*\* Threaded rod not supplied.

### Dimensions — Inches

Catalog Number	A	B	C	D	Welded Fasteners	E	F	G	H	I	J	K
KUH-02 thru -05	16	13 <sup>1</sup> / <sub>8</sub>	8 <sup>7</sup> / <sub>8</sub>	11 <sup>1</sup> / <sub>16</sub>	<sup>5</sup> / <sub>16</sub> -18	10 <sup>1</sup> / <sub>4</sub>	9 <sup>3</sup> / <sub>4</sub>	5 <sup>1</sup> / <sub>2</sub>	4 <sup>1</sup> / <sub>16</sub>	4 <sup>1</sup> / <sub>2</sub>	4 <sup>1</sup> / <sub>2</sub>	6 <sup>5</sup> / <sub>8</sub>
KUH-07, 10, 12, 15	20 <sup>1</sup> / <sub>2</sub>	17 <sup>1</sup> / <sub>4</sub>	11 <sup>1</sup> / <sub>2</sub>	15	<sup>3</sup> / <sub>8</sub> -16	13 <sup>7</sup> / <sub>8</sub>	13	8 <sup>1</sup> / <sub>4</sub>	4 <sup>1</sup> / <sub>2</sub>	6 <sup>1</sup> / <sub>4</sub>	6 <sup>1</sup> / <sub>4</sub>	8 <sup>5</sup> / <sub>8</sub>
KUH-20, 25	24	20 <sup>5</sup> / <sub>8</sub>	11 <sup>1</sup> / <sub>2</sub>	17 <sup>3</sup> / <sub>4</sub>	<sup>3</sup> / <sub>8</sub> -16	16 <sup>1</sup> / <sub>4</sub>	16	8 <sup>1</sup> / <sub>4</sub>	6	8 <sup>3</sup> / <sub>4</sub>	6 <sup>1</sup> / <sub>4</sub>	10
KUH-30, 35, 40, 45	24	20 <sup>5</sup> / <sub>8</sub>	17	23 <sup>3</sup> / <sub>8</sub>	<sup>3</sup> / <sub>8</sub> -16	16 <sup>1</sup> / <sub>4</sub>	16	8 <sup>1</sup> / <sub>4</sub>	6	11 <sup>3</sup> / <sub>4</sub>	11 <sup>3</sup> / <sub>4</sub>	10

## Ceiling Mounted

One 1<sup>1</sup>/<sub>16</sub>" mounting hole for swivel mounting to ceiling.



Ceiling must be smooth wood, plaster or metal surface with adequate strength to support heater. Not adaptable to acoustic tile or suspended ceilings.

Four bolts are provided for field attachment of swivel bracket to welded fasteners on top of unit.

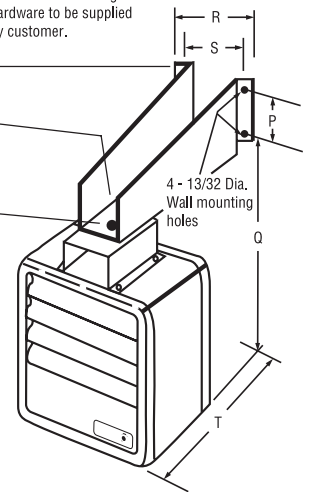
## Wall Mounted Universal Bracket

4<sup>13</sup>/<sub>32</sub>" diameter mounting holes for fastening to wall.\*

Stop for limiting rotation.

Swivel bolt permits heater to be rotated to face desired direction. Four bolts are provided for field attachment of swivel bracket to welded fasteners on top of unit.

NOTE: Wall mounting hardware to be supplied by customer.



## Mounting Limitations

**Hazardous Atmosphere** — Unit heaters should not be used in potentially explosive atmospheres. **Corrosive Atmosphere** — The finish is not intended for direct salt spray exposure in marine applications or the highly corrosive atmospheres of greenhouses, swimming pools, chemical storage bins, etc. **Mounting Height** — Do not install Unit Heaters above recommended maximum mounting height. **Obstructions** must not block unit heater air inlet or discharge.

### Clearance Requirements

Mounting Limitations		
Back To Wall	Side To Wall	Top To Wall
6 inches	6 inches	6 inches

## Ceiling Mounted Heaters

Heater Model #	Dimensions — Inches						Ceiling Bracket Cat. #
	A	M	N	U	V	W	
KUH-02 thru -05	16	6	4 <sup>7</sup> / <sub>16</sub>	4	4 <sup>3</sup> / <sub>4</sub>	10 <sup>1</sup> / <sub>2</sub>	<b>BUH-04A</b>
KUH-07, 10, 12, 15	20 <sup>1</sup> / <sub>2</sub>	8	4 <sup>3</sup> / <sub>4</sub>	6	7 <sup>1</sup> / <sub>4</sub>	16	<b>BUH-05A</b>
KUH-20, 25	24	8	6 <sup>1</sup> / <sub>4</sub>	6	7 <sup>1</sup> / <sub>4</sub>	17 <sup>1</sup> / <sub>2</sub>	<b>BUH-05A</b>
KUH-30, 35, 40, 45	24	13 <sup>3</sup> / <sub>8</sub>	9 <sup>5</sup> / <sub>16</sub>	6	7 <sup>1</sup> / <sub>4</sub>	21	<b>BUH-06A</b>

## Wall Mounted Heaters

Heater Model	Dimensions — Inches					Wall Bracket Cat. #
	P	Q	R	S	T	
KUH-02 thru -05	1 <sup>1</sup> / <sub>2</sub>	21 <sup>1</sup> / <sub>2</sub>	6 <sup>3</sup> / <sub>4</sub>	5 <sup>5</sup> / <sub>8</sub>	14 <sup>1</sup> / <sub>2</sub>	<b>BUH-01A</b>
KUH-07, 10, 12, 15	2 <sup>3</sup> / <sub>32</sub>	28 <sup>19</sup> / <sub>32</sub>	9 <sup>1</sup> / <sub>2</sub>	8 <sup>3</sup> / <sub>8</sub>	19 <sup>9</sup> / <sub>8</sub>	<b>BUH-02A</b>
KUH-20, 25	2 <sup>3</sup> / <sub>32</sub>	28 <sup>19</sup> / <sub>32</sub>	9 <sup>1</sup> / <sub>2</sub>	8 <sup>3</sup> / <sub>8</sub>	19 <sup>9</sup> / <sub>8</sub>	<b>BUH-02A</b>
KUH-30, 35, 40, 45	5 <sup>1</sup> / <sub>2</sub>	30 <sup>3</sup> / <sub>4</sub>	5	3 <sup>1</sup> / <sub>2</sub>	32 <sup>9</sup> / <sub>16</sub>	<b>BUH-03A</b>



# KUH Horizontal Unit Heater

## Optional Control Accessories and Remote Thermostats

### Thermostat Kits

Catalog Number	PCN
KUH-TK3 (SPST)	302519
KUH-TK4 (DPST)	302527

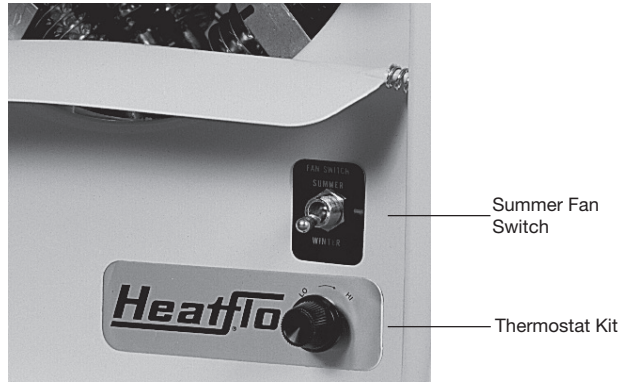
### Power Disconnect Kits



3 Pole, 600V Rating

Catalog Number	Rating	PCN
KDS-1	40 Amp	304434
KDS-2	80 Amp	304442
KDS-3	100 Amp	304450

### Fan Only Operation Kits



A fan only operation (optional) is available by means of a built-in switch or by external control.

Catalog Number	Description	(2-15 kW) PCN	(20-45 kW) PCN
ISFS-02	Internal Summer Fan Switch 208 through 277Volts	305007	ISFS-02 305007
ESFS-40	External* Summer Fan Switch With Relay (24 Volt control)	305015	ESFS-40A 305058
ESFS-42	External* Summer Fan Switch With Relay (240 Volt control)	305031	ESFS-42A 305074
ESFS-47	External* Summer Fan Switch With Relay (277 Volt control)	305040	— —

\*Kit includes wall plate (discard plate if switch is to be installed on the heater.)

# KUH Horizontal Unit Heater

## Recommended Remote Wall Thermostats

### Industrial Rated

NOT A FAIL-SAFE DEVICE

Maximum Rating (Amps/Watts) AC

120V	240V	277V	480V	DC† 115V	DC† 230V	Catalog Number	Sta- tus	PCN
25/3000	22/5280	18/5000	125VA*	125VA**	125VA**	WR-80	S	263177
25/3000	22/5280	18/5000	125VA*	125VA**	125VA**	WR-90	S	263185

\*Pilot Duty (Use With AC Contactor)

\*\*Pilot Duty (Use With DC Contactor)

†DC Ratings Not UL Listed



WR-80  
SPST  
40°F - 80°F  
UL Listed

WR-90  
SPST  
20°F - 90°F  
UL Listed

### Light Duty

NOT A FAIL-SAFE DEVICE

Maximum Rating (Amps/Watts) AC

120V	208V	240V	277V	Pilot duty (VA)	Catalog Number	Sta- tus	PCN
22/2640	22/4575	22/5280	18/5000	125	WT-121	S	309999
22/2640	22/4575	22/5280	18/5000	125	WT-122	S	310009



**Line Voltage**  
WT-121 WT-122  
SPST DPST  
45°F - 75°F 45°F - 75°F



**Low Voltage**  
WTL-121  
SPST  
40°F - 80°F  
30 VAC  
1 Amp

### Thermostat and Fan Switch

NOT A FAIL-SAFE DEVICE

Catalog Number	Status	PCN
RTC-90	S	227360
Surface Mounting Box	S	227379

#### Electrical Rating

VAC	Inductive		Pilot Duty (VA)	Resistive (Amps)
	FLA	LRA		
125	5.8	34.8	125	10
250	2.9	17.4	125	5.0
277	2.4	14.4	125	4.2



RTC-90  
50°F - 90°F  
UL Listed

# KUH Horizontal Unit Heater

## Model Numbers

When ordering KUH heaters, specify the model number and corresponding PCN (Product Code Number). If controls or thermostat/fan options are required, designate these options in the model number when ordering, as shown below. Always specify voltage, phase and kW by listing them on the purchase order product specifications.

<b>KUH</b>	<b>05</b>	<b>21</b>	<b>34</b>	<b>41</b>	<b>1</b>														
					<b>Disconnect Switch</b> <table border="1" style="border-collapse: collapse;"> <tr><td style="padding: 2px 5px;"><b>1</b></td><td style="padding: 2px 5px;">40 Amp</td></tr> <tr><td style="padding: 2px 5px;"><b>2</b></td><td style="padding: 2px 5px;">80 Amp</td></tr> <tr><td style="padding: 2px 5px;"><b>3</b></td><td style="padding: 2px 5px;">100 Amp</td></tr> </table>	<b>1</b>	40 Amp	<b>2</b>	80 Amp	<b>3</b>	100 Amp								
<b>1</b>	40 Amp																		
<b>2</b>	80 Amp																		
<b>3</b>	100 Amp																		
				<b>Control</b> <table border="1" style="border-collapse: collapse;"> <tr><td style="padding: 2px 5px;"><b>0 0</b></td><td style="padding: 2px 5px;">No Thermostat, No Summer Fan Switch</td></tr> <tr><td style="padding: 2px 5px;"><b>4 0</b></td><td style="padding: 2px 5px;">Internal Thermostat Only</td></tr> <tr><td style="padding: 2px 5px;"><b>4 1</b></td><td style="padding: 2px 5px;">Internal Therm. and Internal Sum. Fan Sw.</td></tr> <tr><td style="padding: 2px 5px;"><b>4 2</b></td><td style="padding: 2px 5px;">External Sum. Fan Sw. Only (Not 480V)</td></tr> <tr><td style="padding: 2px 5px;"><b>4 3</b></td><td style="padding: 2px 5px;">External Sum. Fan Sw. and Fan Relay (All Volts)</td></tr> <tr><td style="padding: 2px 5px;"><b>4 4</b></td><td style="padding: 2px 5px;">Rem. Fan Sw. and Internal Therm. (Not 480V)</td></tr> <tr><td style="padding: 2px 5px;"><b>4 5</b></td><td style="padding: 2px 5px;">Rem. Fan Sw., Fan Relay and Int. Therm. (All Volts)</td></tr> </table>	<b>0 0</b>	No Thermostat, No Summer Fan Switch	<b>4 0</b>	Internal Thermostat Only	<b>4 1</b>	Internal Therm. and Internal Sum. Fan Sw.	<b>4 2</b>	External Sum. Fan Sw. Only (Not 480V)	<b>4 3</b>	External Sum. Fan Sw. and Fan Relay (All Volts)	<b>4 4</b>	Rem. Fan Sw. and Internal Therm. (Not 480V)	<b>4 5</b>	Rem. Fan Sw., Fan Relay and Int. Therm. (All Volts)	
<b>0 0</b>	No Thermostat, No Summer Fan Switch																		
<b>4 0</b>	Internal Thermostat Only																		
<b>4 1</b>	Internal Therm. and Internal Sum. Fan Sw.																		
<b>4 2</b>	External Sum. Fan Sw. Only (Not 480V)																		
<b>4 3</b>	External Sum. Fan Sw. and Fan Relay (All Volts)																		
<b>4 4</b>	Rem. Fan Sw. and Internal Therm. (Not 480V)																		
<b>4 5</b>	Rem. Fan Sw., Fan Relay and Int. Therm. (All Volts)																		
			<b>Control</b> <table border="1" style="border-collapse: collapse;"> <tr><td style="padding: 2px 5px;"><b>0 0</b></td><td style="padding: 2px 5px;">No Contactor(s)</td></tr> <tr><td style="padding: 2px 5px;"><b>3 0</b></td><td style="padding: 2px 5px;">24V Control Internal Transformer</td></tr> <tr><td style="padding: 2px 5px;"><b>3 1</b></td><td style="padding: 2px 5px;">24V Control Externally Supplied</td></tr> <tr><td style="padding: 2px 5px;"><b>3 4</b></td><td style="padding: 2px 5px;">208/240V Control Internally Supplied, No Transformer</td></tr> <tr><td style="padding: 2px 5px;"><b>3 5</b></td><td style="padding: 2px 5px;">277V Control Internally Supplied</td></tr> </table>	<b>0 0</b>	No Contactor(s)	<b>3 0</b>	24V Control Internal Transformer	<b>3 1</b>	24V Control Externally Supplied	<b>3 4</b>	208/240V Control Internally Supplied, No Transformer	<b>3 5</b>	277V Control Internally Supplied						
<b>0 0</b>	No Contactor(s)																		
<b>3 0</b>	24V Control Internal Transformer																		
<b>3 1</b>	24V Control Externally Supplied																		
<b>3 4</b>	208/240V Control Internally Supplied, No Transformer																		
<b>3 5</b>	277V Control Internally Supplied																		
		<b>Heater Voltage and Phase</b> <b>81</b> = 208V, 1 Phase <b>83</b> = 208V, 3 Phase <b>21</b> = 240V, 1 Phase <b>23</b> = 240V, 3 Phase <b>71</b> = 277V, 1 Phase <b>43</b> = 480V, 3 Phase <b>63</b> = 600V, 3 Phase																	
	<b>Heating Elements</b> <b>02</b> = 2.6 kW <b>04</b> = 4.0 kW <b>05</b> = 5.0 kW <b>07</b> = 7.5 kW <b>10</b> = 10.0 kW <b>12</b> = 12.5 kW <b>15</b> = 15.0 kW <b>20</b> = 20.0 kW <b>25</b> = 25.0 kW <b>30</b> = 30.0 kW <b>35</b> = 35.0 kW <b>40</b> = 40.0 kW <b>45</b> = 45.0 kW																		

Chromalox Horizontal Unit Heater

PF310-2  
 PDS KUH  
 FEB05