



## CHPES-A

### Medium Pressure

### Vertical Steam Boiler (cont'd.)

#### Specifications and Ordering Information

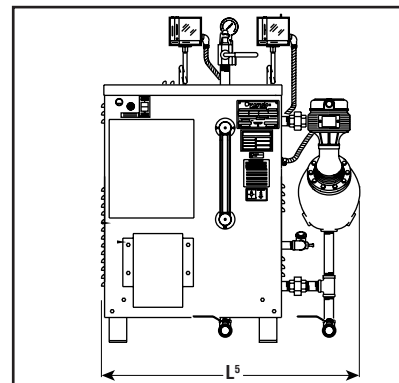
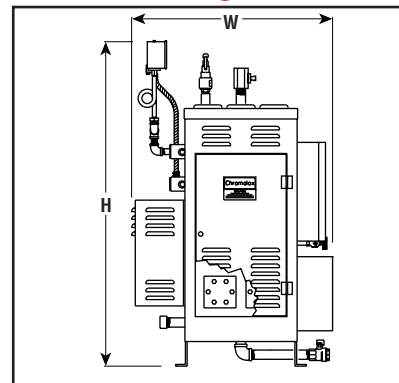
Steam <sup>1</sup> Lbs/Hr	Bhp	kW	Volts <sup>2</sup>	Ph	3 Ph <sup>2</sup> Amps	Service <sup>4</sup> Wire Size	Dimensions (In.)			Model	Stock	PCN	Wt. (Lbs.)
							W	L <sup>5</sup>	H				
<b>CHPES with One Operating Pressure Control<sup>3</sup> (Transformer Optional)</b>													
18.1	0.61	6	208	3	17	12	23	31	37	CHPES-006A	NS	—	400
18.1	0.61	6	240	3	15	12	23	31	37	CHPES-006A	NS	—	400
18.1	0.61	6	480	3	8	12	23	31	37	CHPES-006A	NS	—	400
27.1	0.92	9	208	3	25	10	23	31	37	CHPES-009A	NS	—	430
27.1	0.92	9	240	3	22	10	23	31	37	CHPES-009A	NS	—	430
27.1	0.92	9	480	3	11	12	23	31	37	CHPES-009A	NS	—	430
36.2	1.22	12	208	3	34	8	23	31	37	CHPES-012A	NS	—	430
36.2	1.22	12	240	3	29	10	23	31	37	CHPES-012A	NS	—	430
36.2	1.22	12	480	3	15	12	23	31	37	CHPES-012A	NS	—	430
51.2	1.73	17	208	3	48	6	23	31	37	CHPES-018A	NS	—	430
51.2	1.73	17	240	3	42	6	23	31	37	CHPES-018A	NS	—	430
51.2	1.73	17	480	3	21	12	23	31	37	CHPES-018A	NS	—	430
72.3	2.45	24	208	3	67	4	28	35	44	CHPES-024A	NS	—	520
72.3	2.45	24	240	3	58	4	28	35	44	CHPES-024A	NS	—	520
72.3	2.45	24	480	3	29	10	28	35	44	CHPES-024A	NS	—	520
87.4	2.95	29	208	3	81	3	28	35	44	CHPES-030A	NS	—	520
87.4	2.95	29	240	3	70	4	28	35	44	CHPES-030A	NS	—	520
87.4	2.95	29	480	3	35	8	28	35	44	CHPES-030A	NS	—	520
102.5	3.47	34	208	3	95	2	28	35	44	CHPES-036A	NS	—	520
102.5	3.47	34	240	3	82	3	28	35	44	CHPES-036A	NS	—	520
102.5	3.47	34	480	3	41	6	28	35	44	CHPES-036A	NS	—	520
138.7	4.69	46	208	3	128	2/0	28	35	44	CHPES-048A	NS	—	630
138.7	4.69	46	240	3	111	1	28	35	44	CHPES-048A	NS	—	630
138.7	4.69	46	480	3	56	6	28	35	44	CHPES-048A	NS	—	630
174.8	5.91	58	208	3	161	3/0	28	35	44	CHPES-060A	NS	—	640
174.8	5.91	58	240	3	140	2/0	28	35	44	CHPES-060A	NS	—	640
174.8	5.91	58	480	3	70	4	28	35	44	CHPES-060A	NS	086510	640
205	6.93	68	208	3	189	250 MCM	28	35	44	CHPES-072A	NS	—	640
205	6.93	68	240	3	164	3/0	28	35	44	CHPES-072A	NS	—	640
205	6.93	68	480	3	82	3	28	35	44	CHPES-072A	NS	—	640
<b>CHPES with Two Operating Pressure Controls<sup>3</sup> (Transformer Optional)</b>													
307	10.4	102	208	3	284	400 MCM	32	38	64	CHPES-100A	NS	—	1,250
307	10.4	102	240	3	246	350 MCM	32	38	64	CHPES-100A	NS	—	1,250
307	10.4	102	480	3	123	1/0	32	38	64	CHPES-100A	NS	109410	1,250
410	13.6	136	240	3	327	600 MCM	32	38	64	CHPES-135A	NS	—	1,400
410	13.9	136	480	3	164	3/0	32	38	64	CHPES-135A	NS	—	1,400
475	16.1	158	240	3	379	700 MCM	32	38	64	CHPES-160A	NS	—	1,450
475	16.1	158	480	3	190	250 MCM	32	38	64	CHPES-160A	NS	—	1,450
542	18.4	180	240	3	433	2-300 MCM	32	38	64	CHPES-180A	NS	—	1,500
542	18.4	180	480	3	217	300 MCM	32	38	64	CHPES-180A	NS	—	1,500

**Stock Status:** S = stock AS = assembly stock NS = non-stock  
**To Order**—Specify model, volts, phase, kW and PCN.

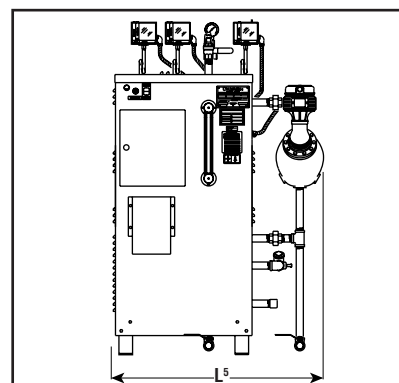
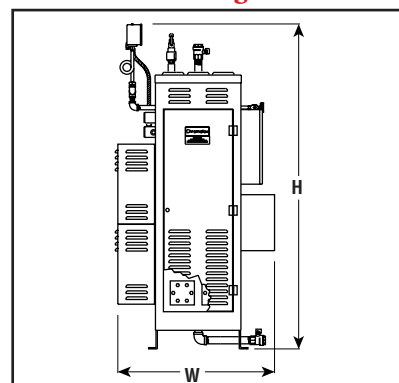
1. Steaming capacity based on producing saturated steam at 212°F with 50°F feed water.
2. Single phase and other voltages available. Contact your Local Chromalox Sales office.
3. All boilers have 120V/1/60Hz control circuit. 220V/1/50Hz circuits are available for export boilers.
4. Copper 90°C AWG unless indicated otherwise. Refer to the instruction sheet for the number of contactors.
5. Allow 21" for element removal and 10" around boiler for service access. Add 2" to width dimension for optional transformer.

#### Dimensions (Inches)

#### CHPES-6A through -18A



#### CHPES-24A through -180A



#### Plumbing Connections

Boiler	NPT	
	Water Inlet	Steam or Water Outlet
CHPES 6-18	1/2	1/2
CHPES 24-72	3/4	1
CHPES 100	3/4	1-1/2
CHPES 135-180	3/4	2