

# U-Series

## Heat Trace Connection System Accessories



### Single Entry Connection Box

- NEMA 4X
- Entry for 1 Cable
- 3/4" Conduit Hub Opening

### Multiple Entry Connection Box

- NEMA 4X
- Entry for up to 3 Cables
- Power or Tee Connection
- 3/4" Conduit Hub Opening

### End Seal Fitting

- NEMA 4X
- Fits All Pipe Sizes
- Mounts Above the Insulation for Easy Access

### Pipe Standoff Kit

- Brings Cable Outside Insulation to Customer Supplied Junction Box

### Small Pipe Adapter for pipes under 1-1/2" diameter



**Chromalox**  
PRECISION HEAT AND CONTROL

### Description

The U-Series Connection System represents cutting edge design in heat tracing accessories. Each model in this series is designed to satisfy the unique demands of a particular operation. These high-quality models combine a variety of functions in a convenient, easy-to-use and economical package.

### Applications

These accessories are designed to connect SRL, SRM/E and CWM heating cables to customer-supplied wiring in any of the following applications:

- Freeze Protection
- Piping Process Temperature Maintenance
- Fluid Flow and Viscosity Maintenance

### Approvals

#### UL Listed

Ordinary Areas

#### CSA Certified

Ordinary Areas

Class I, Div. 2, Groups A, B, C, and D  
Class II, Div. 2, Groups F, G

Class I, Div. 2, Zone 1 or 2 AEx e II

#### FM Approved

Ordinary Areas

Class I, Div. 2, Groups B, C, D

Class II, Div. 2, Groups E, F, G

Class III

Class I, Div. 2, Zone 1 or 2 AEx e II

### Features

- Molded of Durable Polyphenylene Sulphide Plastic Material\*
- Maximum Pipe Temperature 482°F (250°C)
- Corrosion Resistant
- Thermal Stability
- Non-Flammable
- High Strength and Rigidity
- Captive Hardware
- Stainless Steel Hardware to Ensure the Integrity of the System
- Liquid Tight Design Prevents Moisture from Reaching the Electrical Connections
- All Models are Rated NEMA 4X.



\* This crystalline, high-performance engineering TP is characterized by outstanding high-temperature stability, inherent flame resistance and a broad range of chemical resistance. PPS plastics and compounds provide various combinations of high mechanical strength, impact resistance and electrical insulation, with its high arc resistance and low arc tracking.

# U Series Connection System

## Available Models



### UPC Power Connection Box

NEMA 4X rated junction box designed to connect SRL, SRM/E and CWM cables to customer supplied power wiring. This kit provides water-resistant cable entry for one cable, enclosure support, terminal block, and a water-resistant corrosion-resistant wiring enclosure with a 3/4" opening to accept a conduit hub (CCH-2 or equal). A pipe strap (PS Series) is required to attach this model to a pipe. Small pipe adapter is available for pipe size less than 1-1/2".



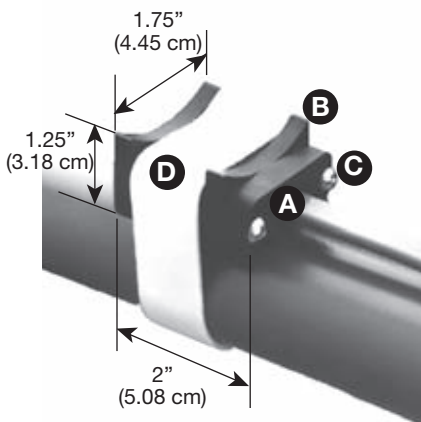
### UMC Multiple Entry Connection Box

NEMA 4X rated junction box designed to connect two or three SRL, SRM/E and CWM cables. This model provides water-resistant cable entry, enclosure support, terminal block and a water-resistant, corrosion-resistant wiring enclosure. In addition to splicing or teeing cables, this model can be used to provide power connection to up to three cables from one connection kit. A pipe strap (PS series) is required to attach this model to a pipe. Small pipe adapter is available for pipe size less than 1-1/2".



### UES Above Insulation End Seal Kit

NEMA 4X rated end seal designed of to terminate SRL, SRM/E and CWM cables. This kit provides water-resistant cable entry for one cable, water-resistant and corrosion-resistant pipe support to bring the cable end outside the insulation for easy access. A pipe strap (PS Series) is required to attach this model to a pipe. Small pipe adapter is available for pipe size less than 1-1/2".



### RTES Under Insulation End Seal Kit

RTES End Seal Fitting is a NEMA 4X rated enclosure designed to terminate all Chromalox Rapid Trace® heating cables. This model provides water-resistant cable entry for one cable, enclosure support and a water-resistant corrosion-resistant enclosure. The fitting has two different curved mounting surfaces. One side has a 1-1/2" radius curved surface that provides stable support on pipes with a diameter of 3" or more. The other side has a 1/2" radius curved surface which permits a better fit on smaller pipes. In addition, this side also has four "feet" for installation on flat surfaces.

- A** Cable entry
- B** 3" dia. curved mounting surface
- C** Stainless steel hardware
- D** 1" w strapping channel for secure mounting

# U Series Connection System

## UPC Single Entry Power Connection Kit PCN 393553

Kit Includes:

- 1 Junction box with DIN rail & terminal block
- 1 Compression fitting
- 1 Locknut
- 1 Silicone termination boot
- 1 Pipe standoff
- 1 O-ring
- 1 Self-regulating cable grommet
- 1 Constant wattage cable grommet



## UMC Multiple Entry Connection Kit PCN 393561

Kit Includes:

- 1 Junction box with din rail and terminal block
- 1 Compression fitting
- 1 Locknut
- 3 Silicone termination boots
- 1 Pipe standoff
- 1 O-ring
- 1 Self-regulating cable grommet
- 1 Constant wattage cable grommet
- 1 Self-regulating cable grommet insert
- 1 Constant wattage cable grommet insert



## SSK Single Entry Sealing Kit PCN 393617

Kit Includes:

- 1 Compression fitting
- 1 Locknut
- 3 Silicone termination boots
- 1 Pipe standoff
- 1 O-ring
- 1 Self-regulating cable grommet
- 1 Constant wattage cable grommet
- 2 Insulated butt splice 10-12 AWG
- 2 Insulated butt splice 14-16 AWG
- 1 Uninsulated butt splice 10-12 AWG



## UES Above Insulation End Seal Kit PCN 393570

Kit Includes:

- 1 End cap
- 1 Pipe standoff
- 1 Self-regulating cable grommet
- 1 Constant wattage cable grommet



## RTES Under Insulation End Seal Kit PCN 389570

- 1 End Cap
- 1 Pressure Plate
- 1 GRSR Self-Regulating Cable Sealing Grommet
- 1 GRCW Constant Wattage Cable Sealing Grommet



## SPA Small Pipe Adapter PCN 393609

- Kit Includes:
- 1 Small pipe adapter



# U Series Connection System

## AT-1 Aluminum Tape Cable Attachments PCN 383355



180' roll aluminum foil installation tape with pressure sensitive acrylic adhesive. 2-mil thickness with high tensile strength; 2-1/2" wide. 200°F (93°C) rating. Minimum application temperatures 40°F (5°C).

## FT-3 Fiberglass Tape Cable Attachments PCN 389941



66' roll glass cloth installation tape with pressure sensitive thermosetting adhesive. 3/8" wide. 310°F (155°C) rating. Strap at one foot intervals. Minimum application temperature 40°F (5°C).

## PS-1, PS-3, PS-10 Pipe Straps PCN 382352, 382360, 382379



Used for attaching UPC and UMC kits to pipe.

PS-1 1/2" to 3/4" pipes (PCN 382352)

PS-3 1" to 3-1/2" pipes (PCN 382360)

PS-10 2-1/2" to 9" pipes (PCN 382379)

## Stripping Tool PCN 393510

For SR Cables, Blades for HSRL and SRL Cables included

## Replacement Blades PCN 393529

Blade Set for Stripping HSRM and SRM/E Cables

## PCN 393537

Blade Set for Stripping HSRL and SRL Cables

