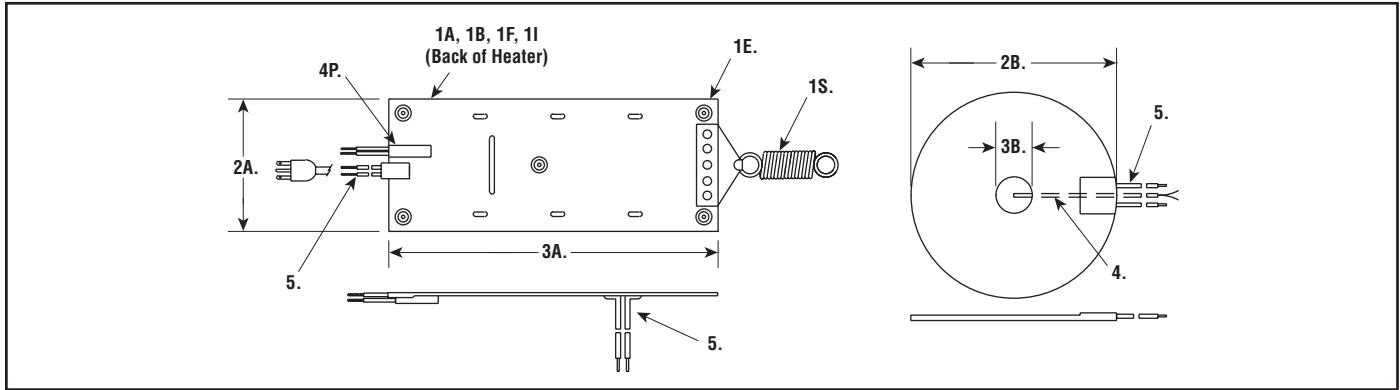


# Chromalox®

## Specification Data Sheet Silicone Laminated Heaters

Form PJ312-1

Customer Name: \_\_\_\_\_ Reference No.: \_\_\_\_\_ Date: \_\_\_\_\_



Note — Drawing Is For Illustration Purposes Only

|  |  |   |
|--|--|---|
| <b>Operating Conditions</b>  |  | <b>9. SMALLEST DIMENSION:</b> A. Width: 1/2" min - 32" Maximum  |
| <b>1. APPLICATION (Describe in Detail):</b>  |  | B. Specify as _____ (in) ID "; use "00" if None   |
|  |  | <b>10. LARGEST DIMENSION:</b> A. Length: 130" Maximum   |
|  |  | B. Specify as _____ Diameter (In.)  |
|  |  | <b>11. CONTROL OPTIONS:</b>   |
|  |  | <b>0</b> - None   |
|  |  | <b>P</b> - Preset T-Stat (Specify Desired Temperature):   |
| <b>2. HEATED MEDIUM (Specify):</b> <input type="checkbox"/> Gas <input type="checkbox"/> Solid       |  | <b>A</b> - Adjustable T-Stat <b>J</b> - Type JT/C   |
| <input type="checkbox"/> Liquid:      Specify Container:   |  | <b>K</b> - Type K T/C <b>R</b> - 100 RTD  |
| <b>3. MAXIMUM WORK TEMPERATURE:</b> °F   |  | <b>T</b> - 100 RTD <b>T</b> - Thermistor  |
| <b>4. MAXIMUM SHEATH TEMPERATURE:</b> °F   |  | <b>F</b> - Thermal Fuse (Specify Desired Temperature):  |
| <b>5. INSTALLATION ENVIRONMENT:</b> <input type="checkbox"/> Indoor <input type="checkbox"/> Outdoor |  | (Over 13amps on a 12V heater and 13amps on 240V will be wired separately)                                       |
| <input type="checkbox"/> Hazardous Class   |  | <b>12. POWER LEADS:</b>   |
| Div.      Group  |  | Specify Length in Inches (10" Standard)   |
| <b>7. AMBIENT TEMPERATURE:</b> °F  |  | Specify Type:   |
| <b>Heater Specifications (Check All That Apply)</b>  |  | <b>T</b> - Teflon® Insulated <b>C</b> - Power Cord  |
| <b>DETERMINE MODEL NUMBER:</b>   |  | <b>CP</b> - Cord and Mold Plug <b>CPG</b> - Grounded Cord and Plug.   |
| Fill In Blanks: SL-____-____-____-____-____-____-____  |  | <b>13. VOLTAGE (Specify up to 480V Max.):</b>   |
| Select From Paragraph: (1) (2) (3) (4) (5) (6) (7)   |  | <b>14. WATTAGE (Specify):</b>   |
| <b>8. SPECIAL FEATURES:</b>  |  | <b>Design Consideration Guidelines</b>  |
| <b>N</b> - None  |  | <b>WATT DENSITIES:</b>  |
| <b>A</b> - PSA Pressure Sensitive Adhesive   |  | <b>FOLLOWING REPRESENT MAXIMUM WATTS/IN.<sup>2</sup>*</b>   |
| <b>B</b> - Bonded to Metal (Provide Details)   |  | ■ 5 W/in <sup>2</sup> Open Air  |
| <b>C</b> - Preformed to match application  |  | ■ 10 W/in <sup>2</sup> PSA on Metal Plate   |
| <b>E</b> - Eyelets/Mounting holes  |  | ■ Heaters above 10 W/in <sup>2</sup> will require special application considerations and will not be warranted. |
| <b>F</b> - Foil Backing  |  | ■ Amperage should not exceed 35 Amps.   |
| <b>HS</b> - Hooks & Springs  |  | ■ Always include Sketch of Heater Regardless of the Simplicity of Heater.                                       |
| <b>I</b> - Insulation (Provide Thickness: 1/16, 1/8, 1/4, 3/8, 1/2)                                  |  |   |
| <b>SC</b> - Striker & Catch  |  |   |
| <b>Y</b> - Nylon Straps  |  |   |