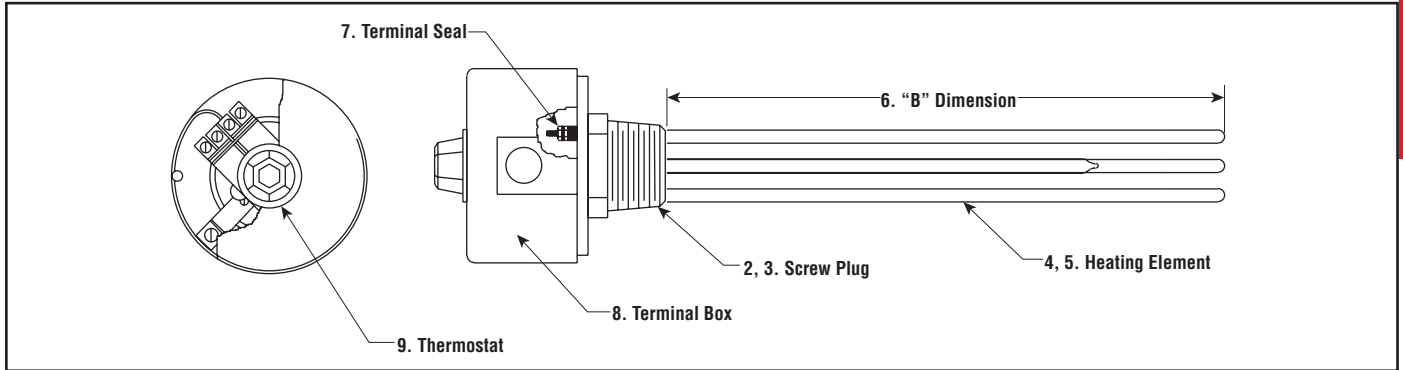


Chromalox®

Specification Data Sheet Screw Plug Immersion Heaters

Form PD309

Customer Name: _____ Reference No.: _____ Date: _____



Note — Drawing Is For Illustration Purposes Only. Screw plug size, number of elements, thermowell option, terminal box configuration, etc. will vary according to options selected.

Operating Conditions	
1. APPLICATION (Describe in Detail):	
2. MATERIAL HEATED (Specify):	
3. OPERATING TEMPERATURE:	°F
4. OPERATING PRESSURE:	psig.
5. <input type="checkbox"/> Indoor	<input type="checkbox"/> Outdoor
6. HAZARDOUS AREA ENVIRONMENT:	
Class	Div. Group
7. AMBIENT TEMPERATURE:	
°F	
Heater Specifications (Check All That Apply)	
1. RATING:	Volts Phase Kilowatts
2. SCREW PLUG SIZE (In., NPT)/NUMBER OF HEATING ELEMENTS:	
<input type="checkbox"/> 1"/1	<input type="checkbox"/> 1-1/4"/1 <input type="checkbox"/> 1-1/4"/2
<input type="checkbox"/> 2"/1	<input type="checkbox"/> 2"/2 <input type="checkbox"/> 2"/3 <input type="checkbox"/> 2-1/2"/3
3. SCREW PLUG MATERIAL:	
<input type="checkbox"/> 304 Stainless Steel	<input type="checkbox"/> 316 Stainless Steel
<input type="checkbox"/> Other (Specify)	
4. HEATING ELEMENT SHEATH MATERIAL:	
<input type="checkbox"/> Steel	<input type="checkbox"/> Copper <input type="checkbox"/> 304 Stainless Steel
<input type="checkbox"/> 316 Stainless Steel	<input type="checkbox"/> INCOLOY®
<input type="checkbox"/> Other (Specify)	
5. HEATING ELEMENT WATT DENSITY:	
<input type="checkbox"/> 6 W/In ²	<input type="checkbox"/> 15 W/In ² <input type="checkbox"/> 20 W/In ²
<input type="checkbox"/> 23-26 W/In ²	<input type="checkbox"/> 40-50 W/In ² <input type="checkbox"/> 51-60 W/In ²
<input type="checkbox"/> 61-85 W/In ² <input type="checkbox"/> Other (Specify)	

DATA SHEET