

Chromalox®

PRECISION HEAT AND CONTROL



FILE #E171404



CAF-6



CCAS-8

SUBMITTAL SHEET

CAF-6 & CCAS-8 Series

Draft Barrier Heaters

Capacities

- 250 w/ft.
- 500W, 750W, 1000W, 1250W, 1500W, 2000W, 2250W & 2500W
- Single Phase Voltage
120V, 208V, 240V & 277V
- Heater Lengths Inches
24.3", 36.3", 48.3", 60.3", 72.3",
84.3", 96.3", 108.3" & 120.3"

JOB NAME: _____

LOCATION: _____

ARCHITECT: _____

ENGINEER: _____

CONTRACTOR: _____

SUBMITTED BY: _____

DATE: _____

QTY.	CATALOG NUMBER	TAG	HEATER			AMPS	BUILT-IN-CONTROLS
			KW	VOLTS	Ø		

ACCESSORIES
AND
CONTROLS

QTY.	CATALOG NO.	TAG	DESCRIPTION

CAF6 SERIES

Architectural Draft Barrier Heater

Specification Guide

Cat. No.	Watts	BTU	Available Voltages	Phase	Length (in.)	Weight (lbs.)
CAF6F205	500	1706	120, 208, 240, 277	1	24.3	18.7
CAF6F307	750	2559	120, 208, 240, 277	1	36.3	25.4
CAF6F410	1000	3412	120, 208, 240, 277	1	48.3	32.1
CAF6F512	1250	4265	120, 208, 240, 277	1	60.3	40.2
CAF6F615	1500	5118	120, 208, 240, 277	1	72.3	48.2
CAF6F717	1750	5971	208, 240, 277	1	84.3	57.6
CAF6F820	2000	6824	208, 240, 277	1	96.3	67.0
CAF6F922	2250	7677	208, 240, 277	1	108.3	77.7
CAF6F025	2500	8530	208, 240, 277	1	120.3	88.4

Low watt density ranges available — consult factory.

Control Options (Factory Installed)

Code	Description
A1	Built-in SP tamperproof thermostat 120 - 277V
A2	Built-in DP tamperproof thermostat 120 - 277V
F1	Built-in SP adjustable thermostat 120 - 277V (Side Mounted)
F2	Built-in DP adjustable thermostat 120 - 277V (Side Mounted)
A4	Built-in 24V low voltage relay 120 - 277V
A5	Built-in 24V low voltage relay and transformer 120 - 277V
A8	Built-in disconnect switch, rated 277V20A
B1	Built-in SP tamperproof thermostat and disconnect
B2	Built-in DP tamperproof thermostat and disconnect
F3	Built-in SP adjustable thermostat and disconnect
F4	Built-in DP adjustable thermostat and disconnect
D1	Built-in low voltage relay and disconnect
D2	Built-in low voltage relay/transformer and disconnect

Sample Specifications Logic

CAF6	B	2	05	21	02	A1	S
Series	*Bottom Inlet	2' Length	500W	208V/1P	White	Built-in DP tamperproof hydraulic thermostat	Finished Back

*Note: F = Front inlet
B = Bottom inlet

- Specify desired voltage, finish and control option from tables.
- For bottom inlet version replace "F" in catalog number with "B".
- End caps are included with heaters.
- Consult factory for custom finish requirements.

Accessories (Field Installed)

Cat. No.	Description
ALF61C90	Inside 90 degree corner
ALF60C90	Outside 90 degree corner
Filler Sections	Consult factory for available sizes
Specify finish code when ordering accessories.	

Voltage Selection

Code	Voltage/Phase
11	120/1
21	208/1
31	240/1
41	277/1

Pedestal Options

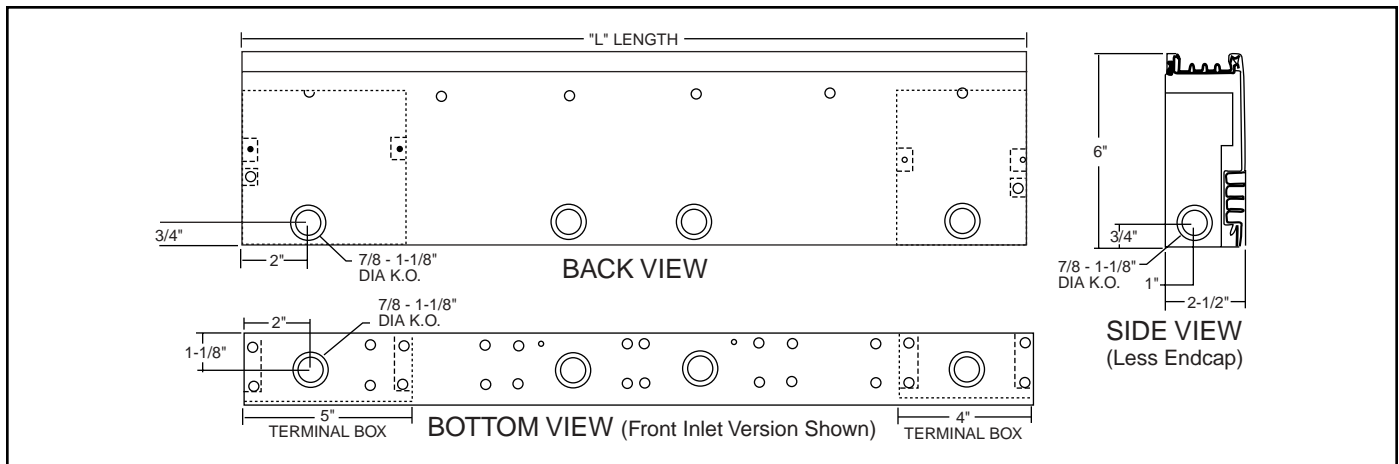
Cat. No.	Description
ALPKS2	Pedestal kit for units up to 4' length (2 pedestals included)
ALPKS3	Pedestal kit for units above 4' length (3 pedestals included)

Finish Selection

Painted	Anodized
68 Almond	07 Bronze
02 White	10 Clear

Cabinet Features

Add "S" or "W" to end of cat. no. for:
W — Pedestal and finished back
S — Finished painted back



ARCHITECTURAL ENGINEER SUGGESTED SPECIFICATIONS

CAF-6 Series

Construction

Heaters shall be low profile 6" high, 2 1/2" deep, with the top and front constructed of extruded aluminum equivalent in strength to 14 gauge steel. The inlet grill shall be interchangeable, front or bottom, and outlet grill located on the heater top. Cabinet back and bottom to be fabricated from satin coat steel with multiple knock outs for convenient power connection. Endcaps to be field removable for continuous heater installation.

Color

Color shall be _____ (Standard White or Almond. Clear and Bronze 40 available).

Finish

Painted finish shall be hybrid polyester epoxy powder coat process. Clear and Bronze 40 are anodized aluminum finishes.

Heating Element

Heating element to be heavy duty, corrosion resistant, stainless steel sheath, enclosing a nickel chromium element imbedded in compacted mineral insulation. Aluminum fins are to be positively staked to the surface and provide superior heat transfer. Element is to be located in a floating suspension system to eliminate expansion noise.

Controls

(Optional) Heaters to include built-in tamper proof thermostat mounted in the _____ (left or right) terminal box. Built-in low voltage control to be located in the right hand terminal box. Built in disconnect switch is to be located in the right hand terminal box. Power connection to be made at either the right or left end of the heater. A continuous wireway to be standard to facilitate continuous installation of multiple heaters.

Thermal Protection

A linear high temperature thermal cutout shall be provided for the full length of the heating element.

CCAS8 SERIES

Architectural Slope Top Heater

Specification Guide

Cat. No.	Watts	BTU	Available Voltages	Phase	Length (in.)	Weight (lbs.)
CCAS8F205	500	1706	120, 208, 240, 277	1	24.3	18.7
CCAS8F307	750	2559	120, 208, 240, 277	1	36.3	25.4
CCAS8F410	1000	3412	120, 208, 240, 277	1	48.3	32.1
CCAS8F512	1250	4265	120, 208, 240, 277	1	60.3	40.2
CCAS8F615	1500	5118	120, 208, 240, 277	1	72.3	48.2
CCAS8F717	1750	5971	208, 240, 277	1	84.3	57.6
CCAS8F820	2000	6824	208, 240, 277	1	96.3	67.0
CCAS8F922	2250	7677	208, 240, 277	1	108.3	77.7
CCAS8F025	2500	8530	208, 240, 277	1	120.3	88.4

Low watt density ranges available — consult factory.

Sample Specifications Logic

CCAS8	B	2	05	21	02	A1	S
Series	*Bottom Inlet	2' Length	500W	208V/1P	White	Built-in SP tamperproof hydraulic thermostat	Finished painted back

*Note: F = Front inlet
B = Bottom inlet

1. Specify desired voltage, finish and control option from tables.
2. For bottom inlet version replace "F" in catalog number with "B".
3. End caps are included with heaters.
4. Consult factory for custom finish requirements.

Control Options (Factory Installed)

Code	Description
A1	Built-in SP tamperproof thermostat 120 - 277V
A2	Built-in DP tamperproof thermostat 120 - 277V
F1	Built-in SP adjustable thermostat 120 - 277V (Side Mounted)
F2	Built-in DP adjustable thermostat 120 - 277V (Side Mounted)
A4	Built-in 24V low voltage relay 120 - 277V
A5	Built-in 24V low voltage relay and transformer 120 - 277V
A8	Built-in disconnect switch, rated 277V20A
B1	Built-in SP tamperproof thermostat and disconnect
B2	Built-in DP tamperproof thermostat and disconnect
F3	Built-in SP adjustable thermostat and disconnect
F4	Built-in DP adjustable thermostat and disconnect

Accessories (Field Installed)

Cat. No.	Description
ALS81C90	Inside 90 degree corner
ALS80C90	Outside 90 degree corner
Filler Sections	Consult factory for available sizes

Specify finish code when ordering accessories.

Finish Selection

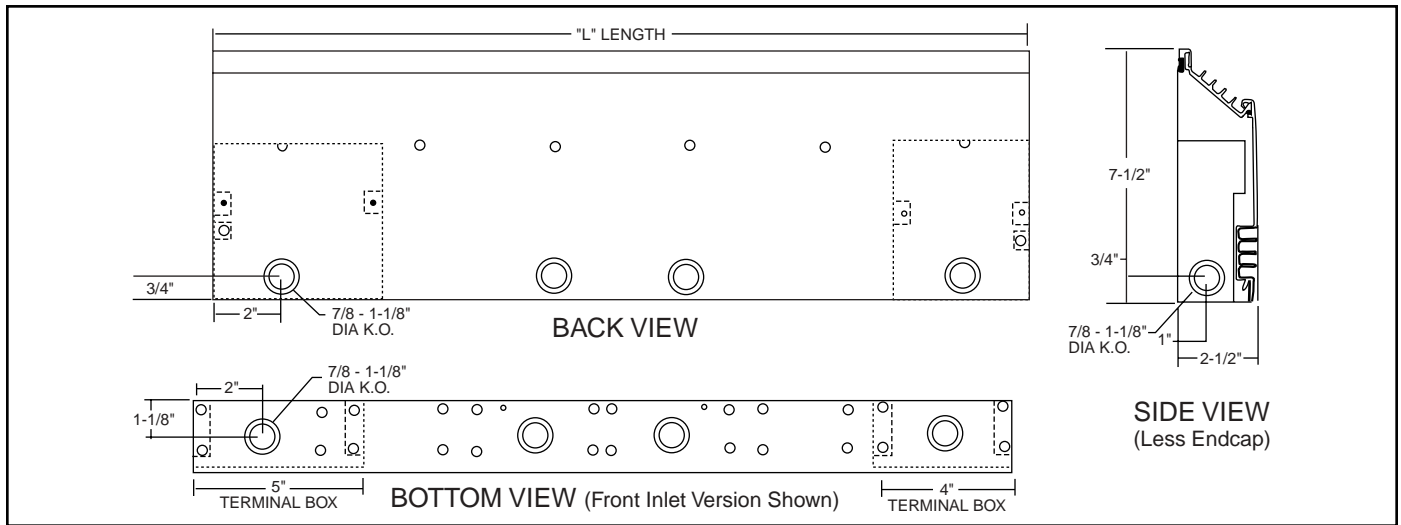
Painted	Anodized
68 Almond	07 Bronze
02 White	10 Clear

Cabinet Features

Add "S" or "W" to end of cat. no. for:
W — Pedestal and finished back
S — Finished painted back

Voltage Selection

Code	Voltage/Phase
11	120/1
21	208/1
31	240/1
41	277/1



ARCHITECTURAL ENGINEER SUGGESTED SPECIFICATIONS

CCAS-8 Series

Construction

Heaters shall be low profile 7 1/2" high, 2 1/2" deep, with the top and front constructed of extruded aluminum equivalent in strength to 14 gauge steel. The inlet grill shall be interchangeable, front or bottom, and outlet grill located on the heater top. Cabinet back and bottom to be fabricated from satin coat steel with multiple knock outs for convenient power connection. Endcaps to be field removable for continuous heater installation.

Color

Color shall be _____ (Standard White or Almond. Clear and Bronze 40 available).

Finish

Painted finish shall be hybrid polyester epoxy powder coat process. Clear and Bronze 40 anodized aluminum finishes.

Heating Element

Heating element to be heavy duty, corrosion resistant, stainless steel sheath, enclosing a nickel chromium element imbedded in compacted mineral insulation. Aluminum fins are to be positively staked to the surface and provide superior heat transfer. Element is to be located in a floating suspension system to eliminate expansion noise.

Controls

(Optional) Heaters to include built-in tamper proof thermostat mounted in the _____ (left or right) terminal box. Built-in low voltage control to be located in the right hand terminal box. Built in disconnect switch is to be located in the right hand terminal box. Power connection to be made at either the right or left end of the heater. A continuous wireway to be standard to facilitate continuous installation of multiple heaters.

Thermal Protection

A linear high temperature thermal cutout shall be provided for the full length of the heating element.

