

Chromalox®

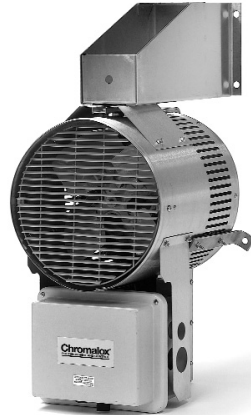
PRECISION HEAT AND CONTROL



FILE #E7061



CERTIFIED
FILE LR40859



SUBMITTAL SHEET HD3D HOSE DOWN CORROSION RESISTANT UNIT HEATERS

Capacities

- 2, 3, 5, 7.5, 10, 15, 20 kW
- 208, 240, 277, 480, 575V
- 1Ø and 3Ø (Varies with Model)
25, 30, 35, 39 kW
480, 575V 3Ø only

See Selection Chart
Back Page

JOB NAME: _____

LOCATION: _____

ARCHITECT: _____

ENGINEER: _____

CONTRACTOR: _____

SUBMITTED BY: _____

DATE: _____

QTY.	CATALOG NUMBER	TAG	HEATER				MOTOR VOLTS	PHASE Ø	MOTOR RPM	AIR FLOW		NO. OF STAGES	BUILT-IN-CONTROLS
			KW	VOLTS	Ø	AMPS				CFM	°F RISE		

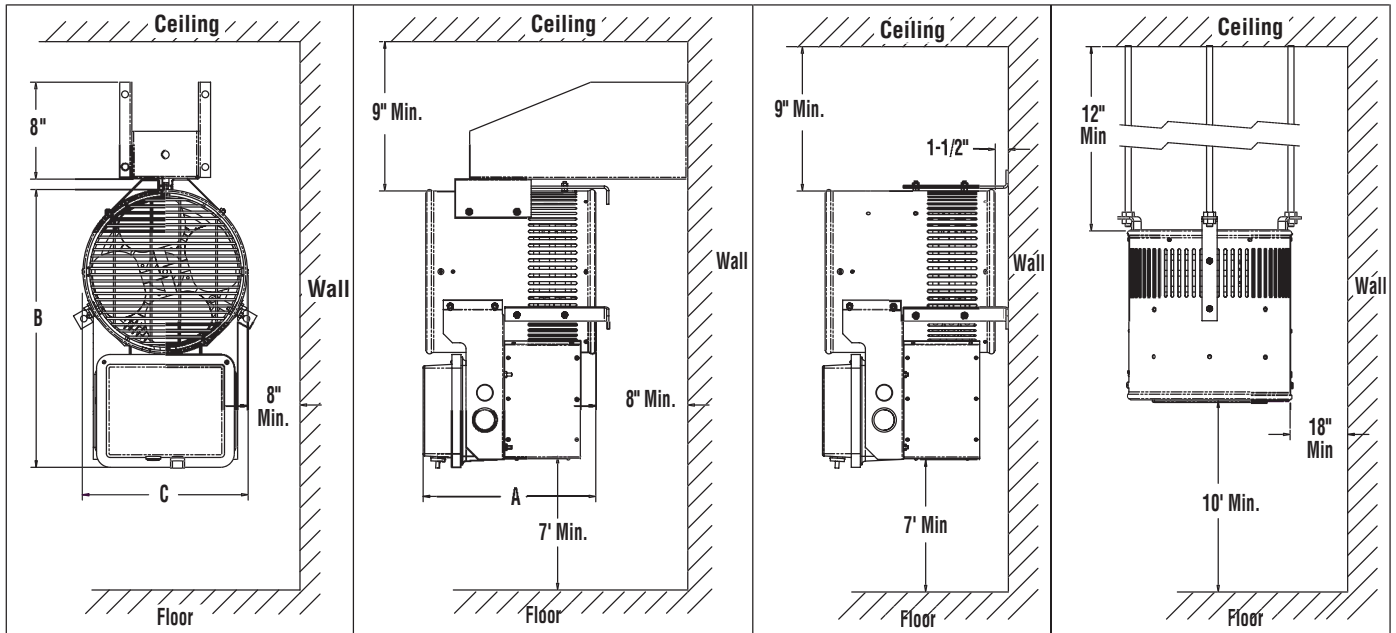
ACCESSORIES
AND
CONTROLS

QTY.	CAT. NO.	TAG	DESCRIPTION

SPECIFICATIONS

Electrical (60 Hz)				Motor				Air Delivery					Model	Wt. (Lbs.)
kW	Volts	Phase	Amps	Volts	Phase	HP	RPM	CFM	FPM	Temp. Rise (°F)	Horiz. Throw (Ft.)	Mtg. Height (Ft.)		
2	120	1	16.7	115	1	1/15	1,050	405	430	21	12	7	HD3D-200	45
2	208	1	9.6	208	1	1/15	1,050	405	430	21	12	7	HD3D-200	45
2	240	1	8.3	240	1	1/15	1,050	405	430	21	12	7	HD3D-200	45
2	277	1	7.2	277	1	1/15	1,050	405	430	21	12	7	HD3D-200	45
3	120	1	25.0	115	1	1/15	1,050	405	430	31	12	7	HD3D-300	45
3	208	1	14.4	208	1	1/15	1,050	405	430	31	12	7	HD3D-300	45
3	240	1	12.5	240	1	1/15	1,050	405	430	31	12	7	HD3D-300	45
3	277	1	10.8	277	1	1/15	1,050	405	430	31	12	7	HD3D-300	45
5	208	1	24.0	208	1	1/15	1,050	405	430	40	12	7	HD3D-500	50
5	240	1	20.8	240	1	1/15	1,050	405	430	40	12	7	HD3D-500	50
5	277	1	18.1	277	1	1/15	1,050	405	430	40	12	7	HD3D-500	50
5	480	1	10.4	480	1	1/15	1,050	405	430	40	12	7	HD3D-500	50
5	208	3	13.9	208	1	1/15	1,050	405	430	40	12	7	HD3D-500	50
5	240	3	12.0	240	1	1/15	1,050	405	430	40	12	7	HD3D-500	50
5	480	3	6.0	480	1	1/15	1,050	405	430	40	12	7	HD3D-500†	50
5	480	3	6.0	480	1	1/15	1,050	405	430	40	12	7	HD3D-500 TSP*†	51
5	575	3	5.0	575	1	1/15	1,050	405	430	40	12	7	HD3D-500	50
7.5	208	1	36.1	208	1	1/15	1,050	590	640	37	13	7	HD3D-750	50
7.5	240	1	31.3	240	1	1/15	1,050	590	640	37	13	7	HD3D-750	50
7.5	277	1	27.1	277	1	1/15	1,050	590	640	37	13	7	HD3D-750	50
7.5	480	1	15.6	480	1	1/15	1,050	590	640	37	13	7	HD3D-750	50
7.5	208	3	20.8	208	1	1/15	1,050	590	640	37	13	7	HD3D-750	50
7.5	240	3	18.1	240	1	1/15	1,050	590	640	37	13	7	HD3D-750	50
7.5	480	3	9.0	480	1	1/15	1,050	590	640	37	13	7	HD3D-750†	50
7.5	480	3	9.0	480	1	1/15	1,050	590	640	37	13	7	HD3D-750 TSP*†	51
7.5	575	3	7.5	575	1	1/15	1,050	590	640	37	13	7	HD3D-750	50
10	240	1	41.7	240	1	1/15	1,050	1,180	800	28	40	7	HD3D-1000	60
10	277	1	36.1	277	1	1/15	1,050	1,180	800	28	40	7	HD3D-1000	60
10	480	1	20.8	480	1	1/15	1,050	1,180	800	28	40	7	HD3D-1000	60
10	208	3	27.8	208	1	1/15	1,050	1,180	800	28	40	7	HD3D-1000	60
10	240	3	24.1	240	1	1/15	1,050	1,180	800	28	40	7	HD3D-1000	60
10	480	3	12.0	480	1	1/15	1,050	1,180	800	28	40	7	HD3D-1000†	60
10	480	3	12.0	480	1	1/15	1,050	1,180	800	28	40	7	HD3D-1000 TSP*†	61
10	575	3	10.1	575	1	1/15	1,050	1,180	800	28	40	7	HD3D-1000	60
12.5	277	1	45.1	277	1	1/15	1,050	1,180	800	36	40	7	HD3D-1250	60
12.5	480	1	26.0	480	1	1/15	1,050	1,180	800	36	40	7	HD3D-1250	60
12.5	208	3	34.7	208	1	1/15	1,050	1,180	800	36	40	7	HD3D-1250	60
12.5	240	3	30.1	240	1	1/15	1,050	1,180	800	36	40	7	HD3D-1250	60
12.5	480	3	15.1	480	1	1/15	1,050	1,180	800	36	40	7	HD3D-1250	60
12.5	575	3	12.6	575	1	1/15	1,050	1,180	800	36	40	7	HD3D-1250	60
15	480	1	31.3	480	1	1/15	1,050	1,330	900	32	45	7	HD3D-1500	60
15	208	3	41.7	208	1	1/15	1,050	1,330	900	32	45	7	HD3D-1500	60
15	240	3	36.1	240	1	1/15	1,050	1,330	900	32	45	7	HD3D-1500	60
15	480	3	18.1	480	1	1/15	1,050	1,330	900	32	45	7	HD3D-1500†	60
15	480	3	18.1	480	1	1/15	1,050	1,330	900	32	45	7	HD3D-1500 TSP*†	61
15	575	3	15.1	575	1	1/15	1,050	1,330	900	32	45	7	HD3D-1500	60
19.5	240	3	47.0	240	1	1/15	1,050	1,330	900	42	45	7	HD3D-2000	60
20	480	1	41.7	480	1	1/15	1,050	1,330	900	42	45	7	HD3D-2000	60
20	480	3	24.1	480	1	1/15	1,050	1,330	900	42	45	7	HD3D-2000†	60
20	480	3	24.1	480	1	1/15	1,050	1,330	900	42	45	7	HD3D-2000 TSP*†	61
20	575	3	20.1	575	1	1/15	1,050	1,330	900	42	45	7	HD3D-2000	60
25	480	3	30.1	480	3	1/3	1,725	2,700	1110	31	48	7	HD3D-2500	90
25	575	3	25.1	575	3	1/3	1,550	1,800	740	42	48	7	HD3D-2500	90
30	480	3	36.1	480	3	1/3	1,725	2,700	1110	37	48	7	HD3D-3000	90
30	575	3	30.2	575	3	1/3	1,550	1,800	740	50	48	7	HD3D-3000	90
35	480	3	42.1	480	3	1/3	1,725	2,700	1110	43	48	7	HD3D-3500	90
35	575	3	35.2	575	3	1/3	1,550	1,800	740	57	48	7	HD3D-3500	90
39	480	3	47.0	480	3	1/3	1,725	2,700	1110	50	48	7	HD3D-4000	90
39	575	3	39.2	575	3	1/3	1,550	1,800	740	65	48	7	HD3D-4000	90

DIMENSIONS (In.)



ACCESSORIES

Universal Swivel Wall Ceiling Brackets

Model	PCN	Used With
USB-1	520604	HD3D 200 to 750
USB-2	520612	HD3D 1000 to 2000
USB-3	520620	HD3D 2500 to 4000

External Drip Shields

Model	PCN	Used With
HD3DS-1	520639	HD3D 200 to 750
HD3DS-2	520647	HD3D 1000 to 2000
HD3DS-3	520655	HD3D 2500 to 4000

Field Installable Disconnect Kit

Model	PCN	Used With
DS-50HD	520663	All

SPECIFICATIONS

- Electric unit blower heaters shall be Chromalox HD3D series with built in power control components, UL listed, CSA certified and CE marked for use in dirty and corrosive environments. The heater shall be NEMA 4X rated for hose down requirements. Heaters to allow mounting positioning for horizontal or vertical operation. Heater to be of the kW rating, voltage, phase and cycles specified in the schedule.
- Heating elements shall be type 316 stainless steel tubing and type 316 stainless steel fins for maximum heat dissipation. The elements shall consist of high quality resistance wire imbedded in a compacted magnesium oxide refractory for excellent dielectric strength and optimum thermal conductivity.
- The heaters shall be protected by a high temperature cutout.
- The fan assembly shall include a UL listed and CSA certified, totally enclosed, epoxy painted motor with permanently lubricated ball bearings designed to resist moisture and corrosion. The epoxy coated aluminum fan blade shall be dynamically balanced for vibration free operation.
- All exposed sheet metal surfaces shall be constructed of type 304 stainless steel; the 20-gauge case shall be roll formed with beaded edges to insure rigidity. A louvered outlet grill shall be painted with zinc chromate primer and two coats of corrosion resistant epoxy paint.
- A NEMA 4X control enclosure shall contain the pre-wired built in controls: automatic reset over-temperature cutout, fan delay relay, heater contactor, motor contactor, terminal block and 120V control transformer. (Contactors and transformer optional on 120V, 2 and 3kW sizes.)
- Standard mounting hardware shall consist of three (3) L shaped, 7 gauge 304 stainless steel mounting brackets for mounting the heater directly to a wall for horizontal airflow or ceiling for vertical airflow.
- Optional Features
 - Field Installable**
 - h Type 304 stainless steel USB universal swivel wall and ceiling bracket
 - h Type 304 stainless steel HD3DS external drip shield
 - h DS-50HD field installable power disconnect kit
 - h NEMA 4X wall mounted thermostat type WCRT-100
 - Factory Installed**
 - h Integral thermostat
 - h Integral pilot light indicating power on
 - h Fan selector switch (3 position), heater on/off /fan only operation
 - h Manual reset cutout
 - h 24 Volt control circuit
 - h Epoxy painted stainless steel case assembly
 - h Remote thermostat model WCRT-100

DIMENSIONS (In.)

kW	Volts	Phase	A	B	C
2.0 - 7.5	ALL	1, 3	13-1/2	24-1/2	15
10.0 - 20.0	ALL	1, 3	17-1/4	28	15-1/8
25.0 - 39.0	480, 575	3	21-1/4	32-1/4	19-1/2

