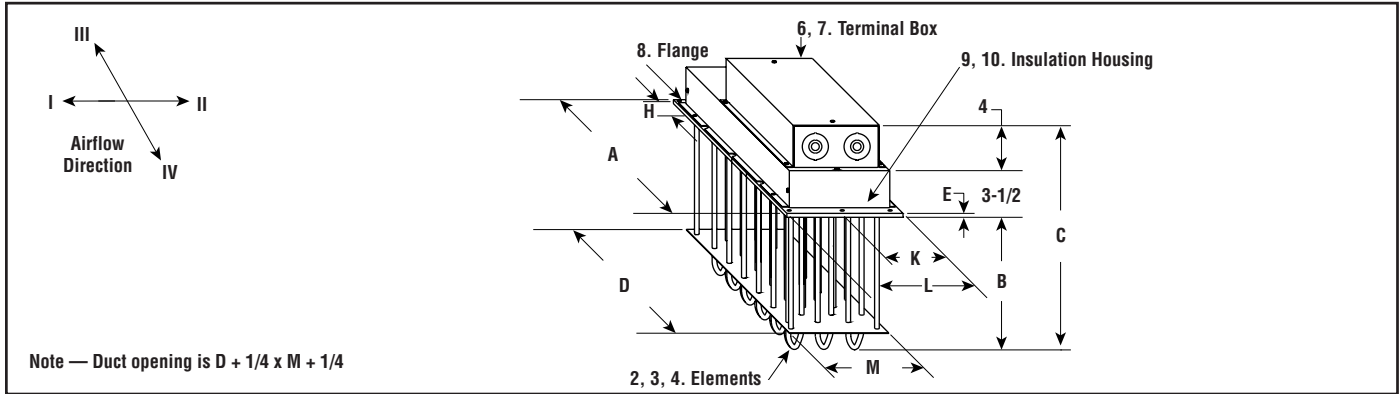


Chromalox®

Specification Data Sheet Tubular Air Duct Heaters

Form PF303

Customer Name: _____ Reference: _____ Date: _____



Note — Drawing Is For Illustration Purposes Only.

Operating Conditions		5. TERMINAL SEALS:		<input type="checkbox"/> None (Standard)
1. APPLICATION (Describe in Detail):		<input type="checkbox"/> Silicone Fluid (500°F)		<input type="checkbox"/> Silicone Resin (450°F)
		<input type="checkbox"/> RTV (450°F)		<input type="checkbox"/> Epoxy (250°F)
		<input type="checkbox"/> Other (Specify)		
		6. TERMINAL BOX CONSTRUCTION:		
		<input type="checkbox"/> General Purpose (Standard)		<input type="checkbox"/> Moisture Resistant
		<input type="checkbox"/> Explosion Resistant		
2. AIR FLOW:		7. TERMINAL BOX MATERIAL:		<input type="checkbox"/> Aluminized Steel (Standard)
3. INLET AIR TEMPERATURE:		<input type="checkbox"/> 316 Stainless Steel		<input type="checkbox"/> 316 Stainless Steel
°F		<input type="checkbox"/> Other (Specify)		
4. OUTLET AIR TEMPERATURE:		8. FLANGE MATERIAL:		<input type="checkbox"/> Steel (Std.) <input type="checkbox"/> 304 Stainless Steel
°F		<input type="checkbox"/> 316 Stainless Steel		
5. OPERATING TEMPERATURE		9. INSULATION HOUSING: (Below Flange):		<input type="checkbox"/> Yes <input type="checkbox"/> No
psig.		<input type="checkbox"/> Height:		in. (3-5/8" Std.)
6. <input type="checkbox"/> Indoor <input type="checkbox"/> Outdoor		10. INSULATION HOUSING:		
7. DUCT DIMENSIONS: L W		<input type="checkbox"/> 304 Stainless Steel (Std.)		<input type="checkbox"/> 316 Stainless Steel
8. AIR FLOW DIRECTION: <input type="checkbox"/> I <input type="checkbox"/> II <input type="checkbox"/> III <input type="checkbox"/> IV		<input type="checkbox"/> Other (Specify)		
10. AMBIENT TEMPERATURE:		11. OVERHEAT THERMOCOUPLE WELDED TO SHEATH:		
°F		<input type="checkbox"/> Type J <input type="checkbox"/> Type K <input type="checkbox"/> Other (Specify)		
Heater Specifications (Check All That Apply)		12. HEATER DIMENSION (Inches):		A B C
1. RATING: Volts Phase Kilowatts		D E H K L M		
No. of Electrical Circuits: <input type="checkbox"/> Standard		13. AGENCY APPROVALS:		
<input type="checkbox"/> Other: No. Circuits: kW/Circuits:		<input type="checkbox"/> None		
2. HEATING ELEMENTS: <input type="checkbox"/> Tubular (Std.) <input type="checkbox"/> Finned Tubular		<input type="checkbox"/> U.L. Component Recognized (Standard)		
3. HEATING ELEMENT SHEATH MATERIAL:		<input type="checkbox"/> C.S.A. Certified (Standard)		
Tubular:		<input type="checkbox"/> Other (Specify)		
<input type="checkbox"/> INCOLOY® 840 (Standard) <input type="checkbox"/> INCOLOY® 800		14. OTHER SPECIAL FEATURES:		
<input type="checkbox"/> 316 Stainless Steel <input type="checkbox"/> 304 Stainless Steel				
<input type="checkbox"/> Other (Specify)				
Finned Tubular:				
<input type="checkbox"/> Steel <input type="checkbox"/> Ceramic-Coated Steel <input type="checkbox"/> MONEL®				
<input type="checkbox"/> 304 Stainless Steel <input type="checkbox"/> Other (Specify)				
4. HEATING ELEMENT WATT DENSITY:		17. MODEL NO.:		
<input type="checkbox"/> 20 W/In ² <input type="checkbox"/> 22 W/In ² <input type="checkbox"/> 30 W/In ²				
<input type="checkbox"/> Other (Specify)				