

1/8 & 1/16 DIN Mounting Adapter Kits

- Convert 1/4 DIN Mounting Hole Cutouts
- Pre-drilled, Easy to Install
- 4 Screws and Nuts Included

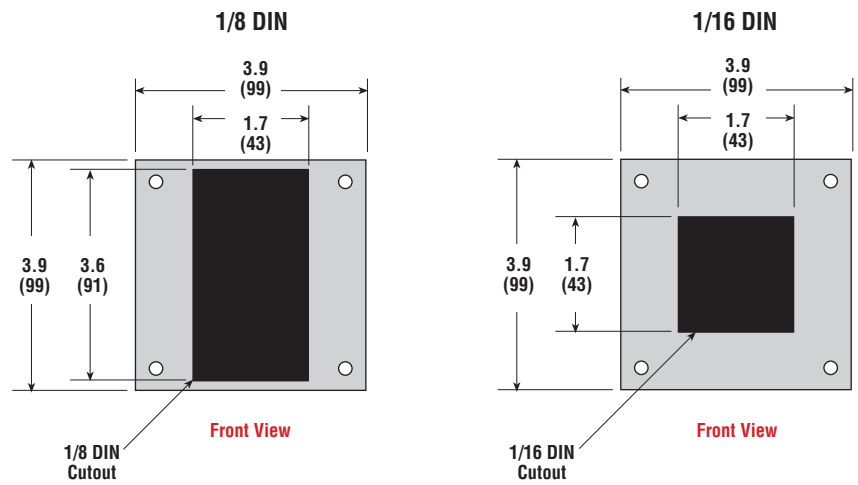
Description

The 1/8 and 1/16 DIN Mounting Adaptor Kits allow you to easily convert an existing 1/4 DIN panel cutout for mounting an 1/8 or 1/16 DIN instrument.

Ordering Information

Description	Part Number	PCN
1/4 to 1/8 DIN Mounting Adapter Kit	0006-12136	306931
1/4 to 1/16 DIN Mounting Adapter Kit	0006-12137	306923

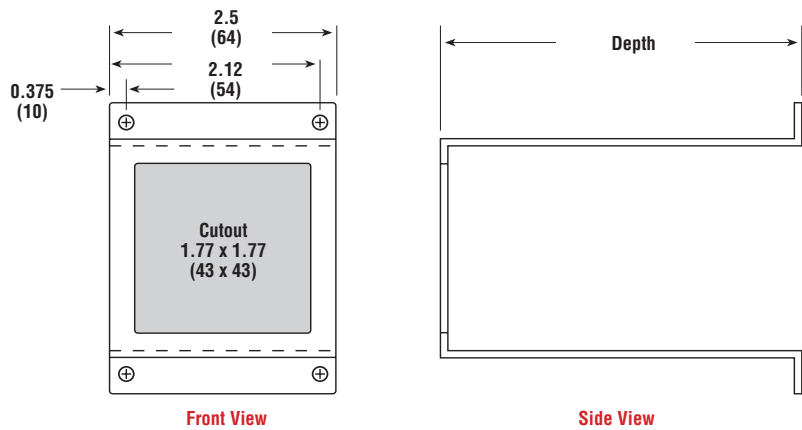
Dimensions



All Dimensions in Inches (mm)

1/16 DIN Surface Mounting Brackets

Dimensions



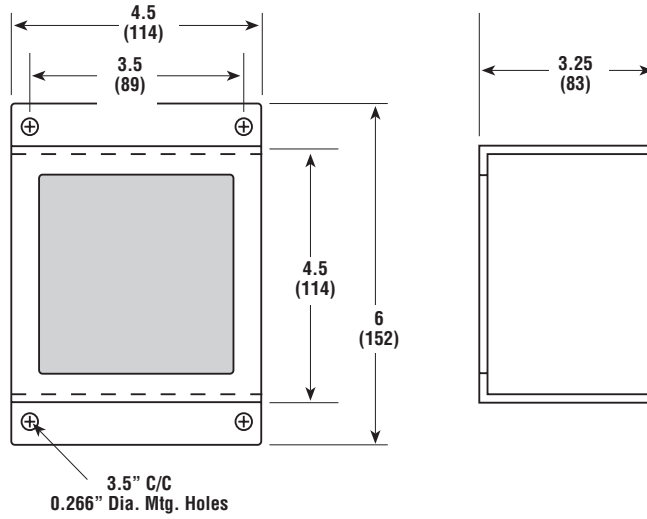
All Dimensions in Inches (mm)

Ordering Information

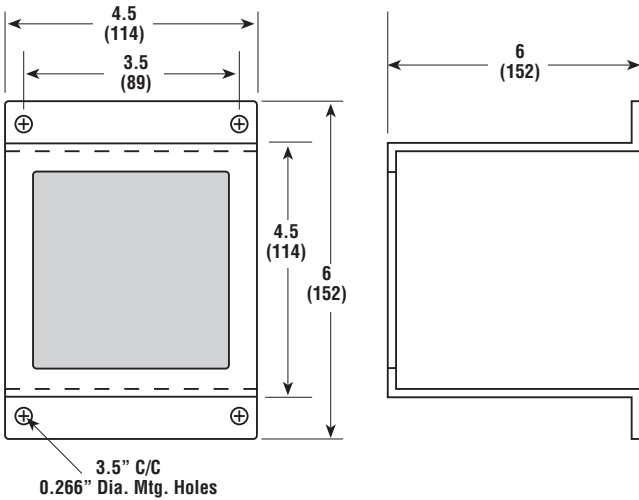
Description	Depth (In, mm)	Part Number	PCN
Surface Mounting Bracket	4.38 (111)	0006-12155	305200
Mounting Bracket	5.13 (130)	0006-12154	305218

CONTROLLER ACCESSORIES

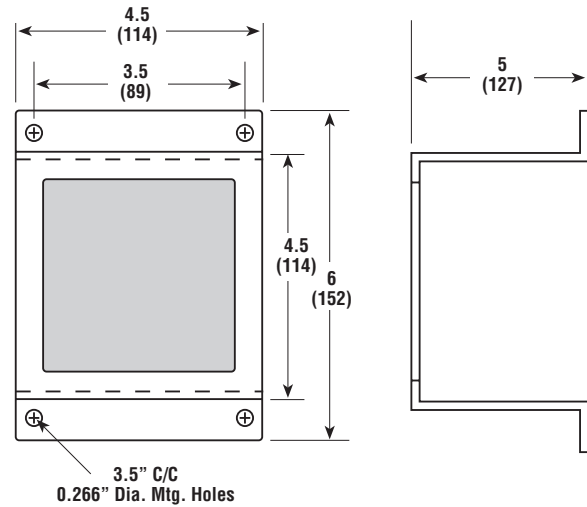
1/4 DIN Accessories 1/4 DIN Mounting Brackets



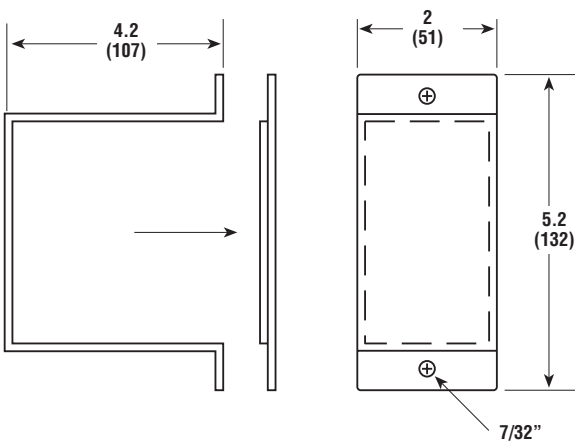
Surface Mounting
Part No. 0006-12081 PCN 309307



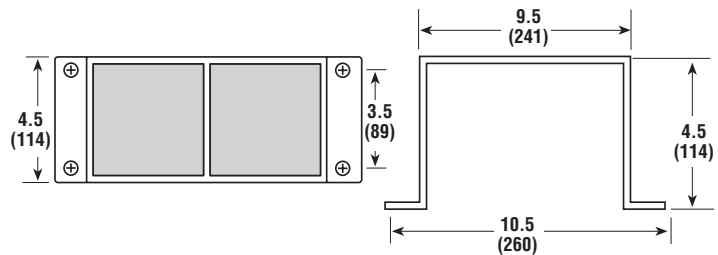
Surface Mounting
Part No. 0006-12072 PCN 309315



Surface Mounting
Part No. 0006-12151 PCN 317980



Side Mounting
1/4 DIN Instruments
Part No. 0006-12034 PCN 313904



Surface Mounting for 2 Controllers
Part No. 0006-12157 PCN 339098